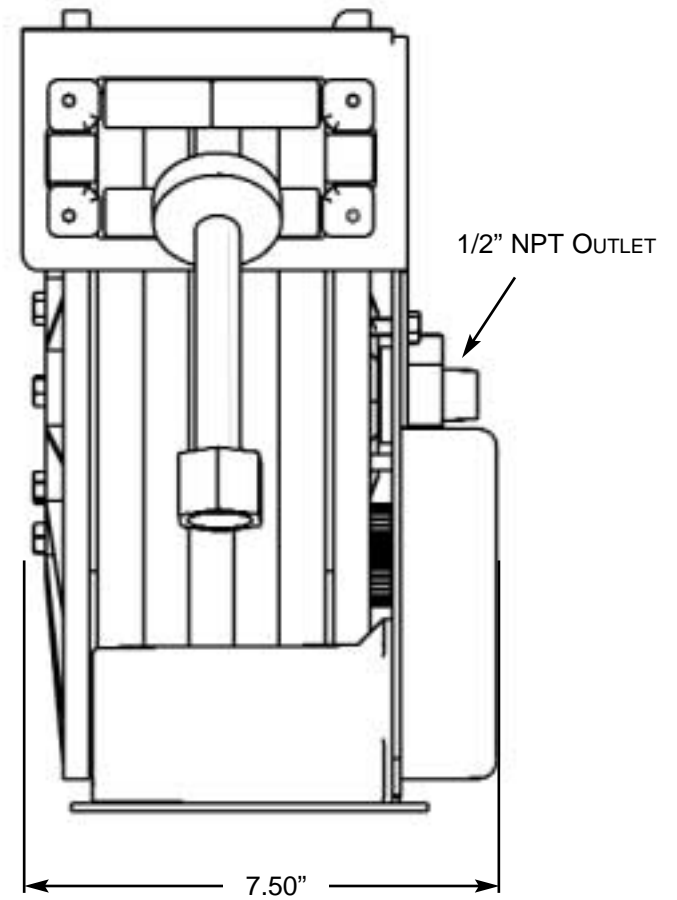
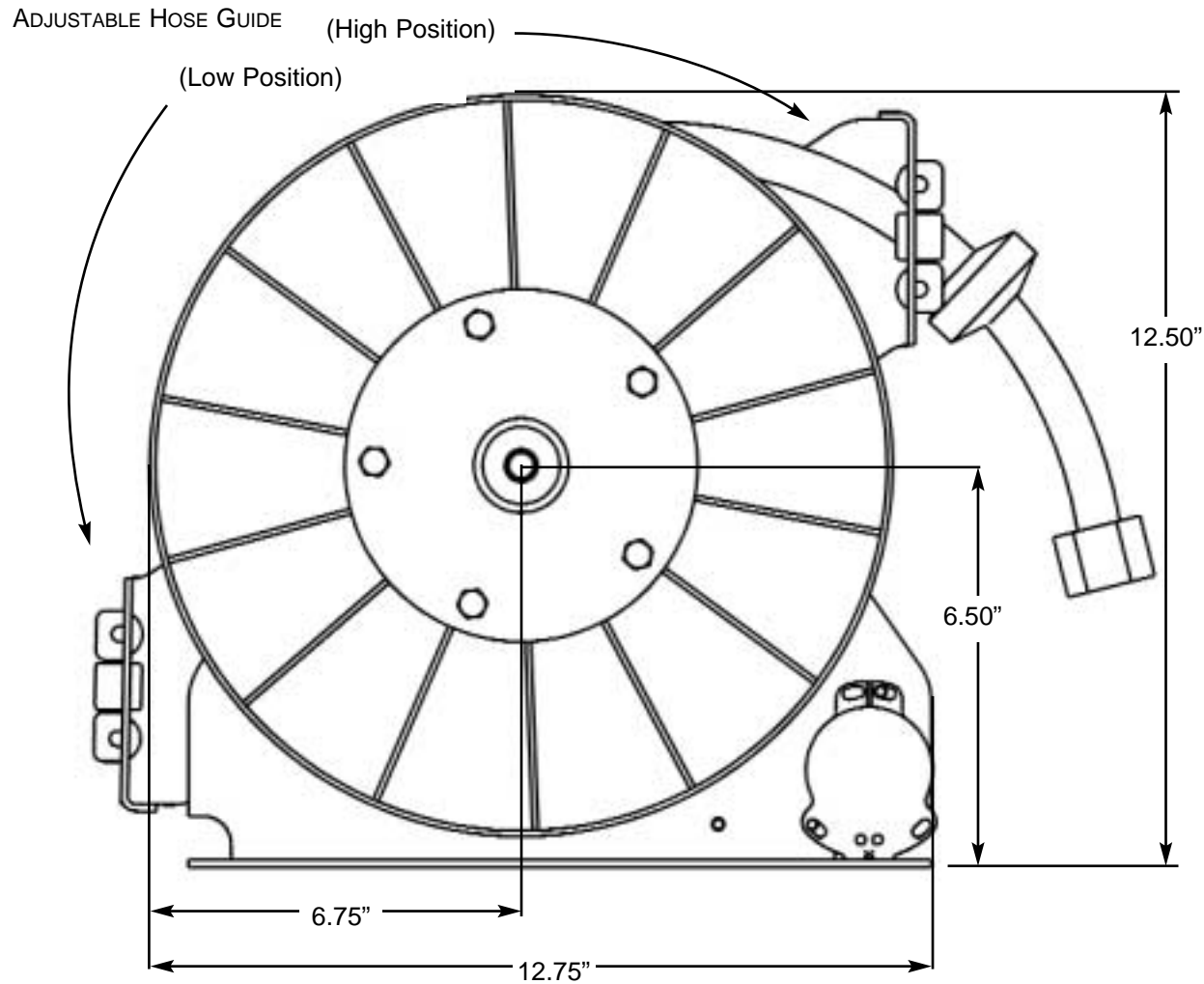


HOSEMASTER DIMENSIONS



740 Century Circle
Conway, SC 29526

P: 843-399-6146
F: 843-399-5005

www.glendinningprods.com

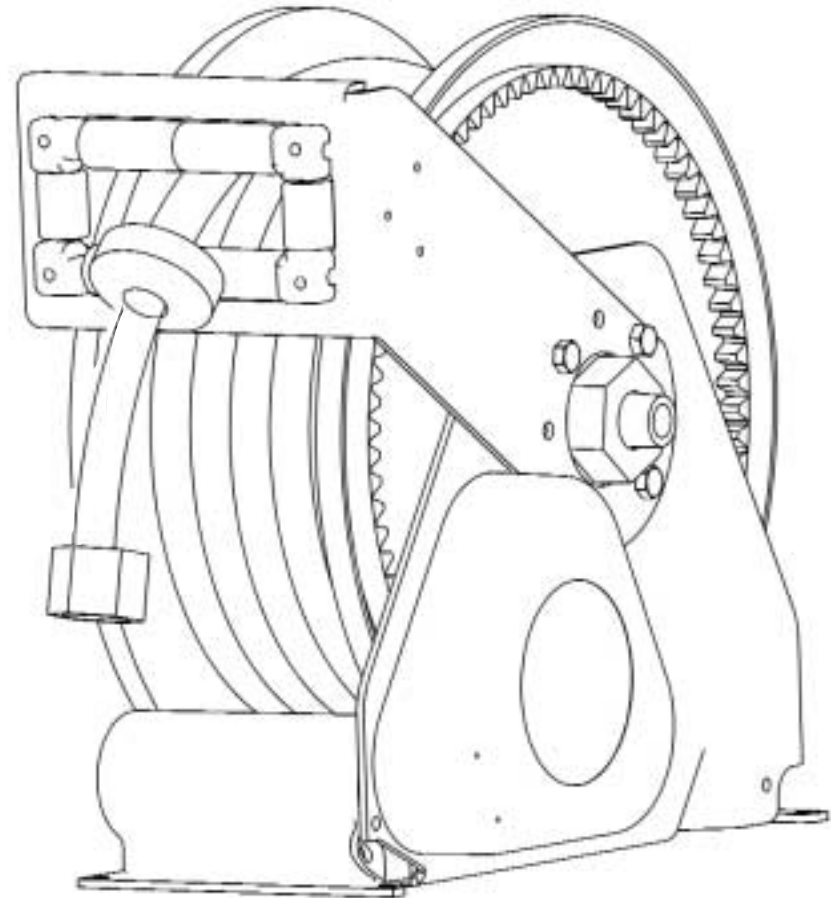
HM DIM-02/01

HoseMaster Features:

- Holds up to 50' of 1/2" IAMPO hose
- Adaptable for 5/8" IAMPO approved hose
- Powered retraction just "push the switch!"
- Compact design allows for easy installation
- Adjustable intake guide
- Comes complete with 3' wire and switch assembly (incl. switch, breaker, and mounting bracket)

SPECIFICATIONS:

Voltage:	12 VDC
Amperage:	5 amps under load
Weight:	18 lbs.
Dimensions:	12.75"L x 7.5"W x 12.5"H (for 50' hose add 1" to W)
Capacity:	1/2" IAMPO approved hose (adaptable for 5/8" hose)
Length of hose:	Standard — 35' Optional — 50'



HoseMaster