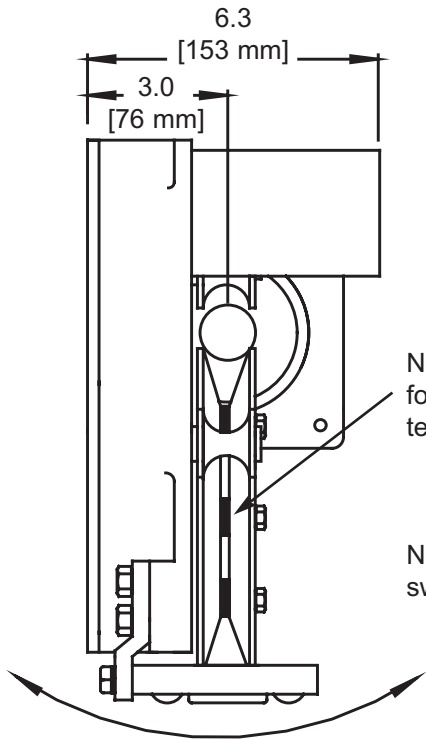
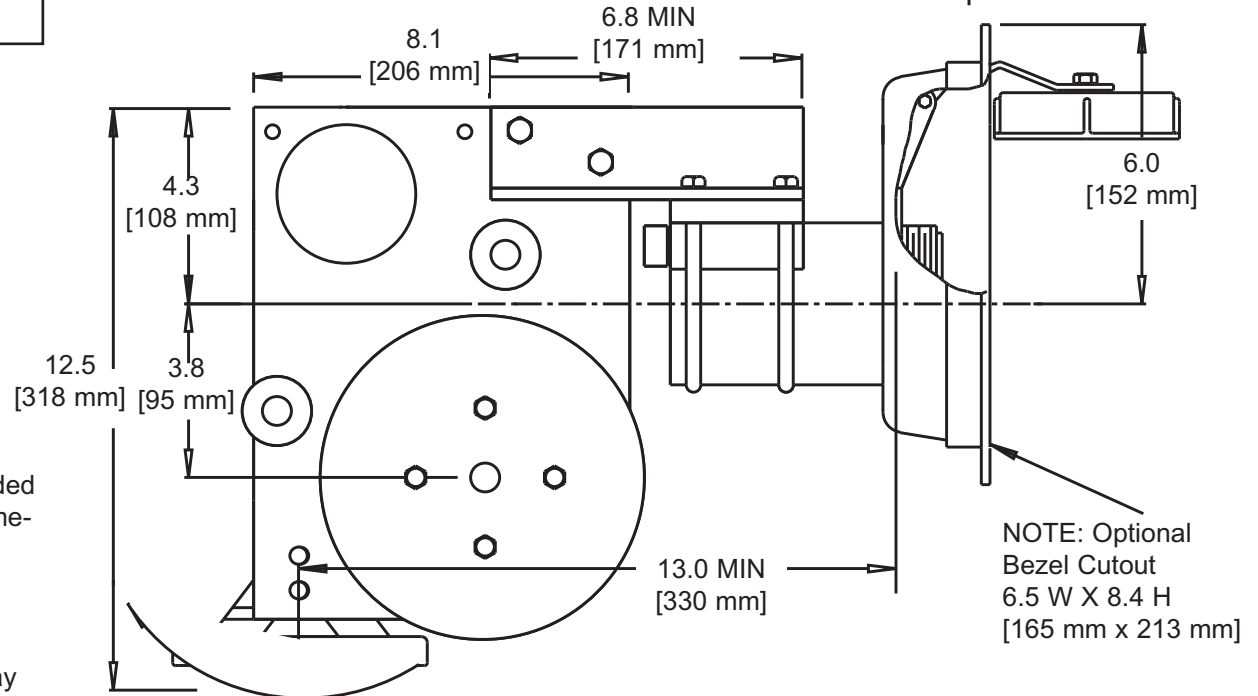
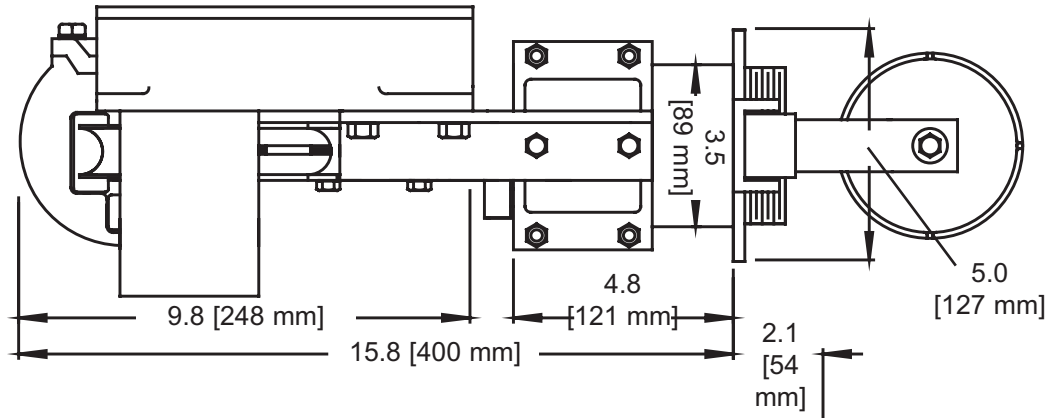


CM-7 DIMENSIONS

SPECIFICATIONS:

Voltage: 12 / 24 / 32 VDC
 Current: 7 - 9 Amps under load
 Weight: 21 lbs. (Power Unit)
 8 lbs. (Hawse Pipe)
 Cable size: 6/3 or 6/4, 50 amp, 220 volt
 Adjustable (7/8" to 1-1/4" diameter)
 Length capacity: Determined by size of storage location

Hawse Pipe Flange
 Dimension — 5.0 X 6.5
 [127 mm x 165 mm]



NOTE: Spacers provided for variable cable diameter adjustment

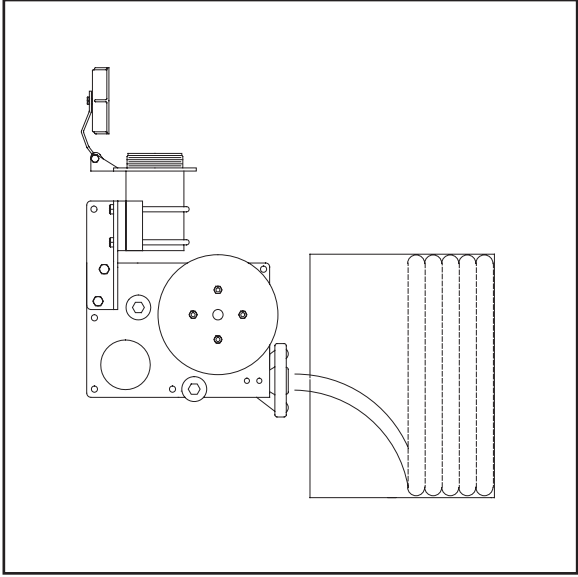
NOTE: Power Unit may swing up to 45 degrees

NOTE: Optional Bezel Cutout
 6.5 W X 8.4 H
 [165 mm x 213 mm]

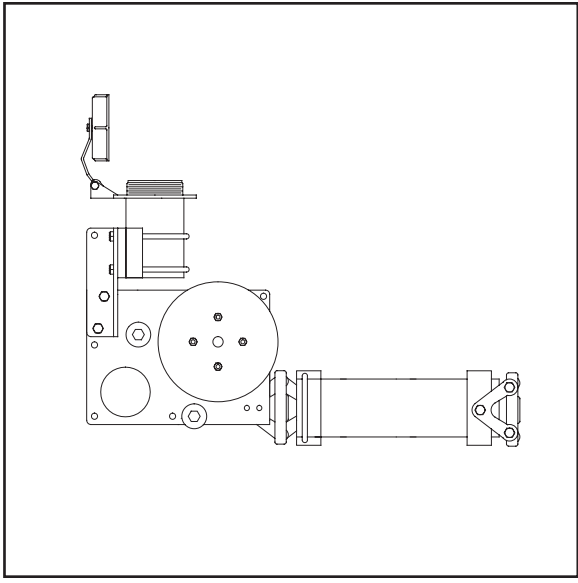
Minimum cable area required for 50 feet of
 50 amp shore power cable is 18" diameter X
 18" high (centered under Guide Roller
 Assembly)

VARIOUS INSTALLATION EXAMPLES

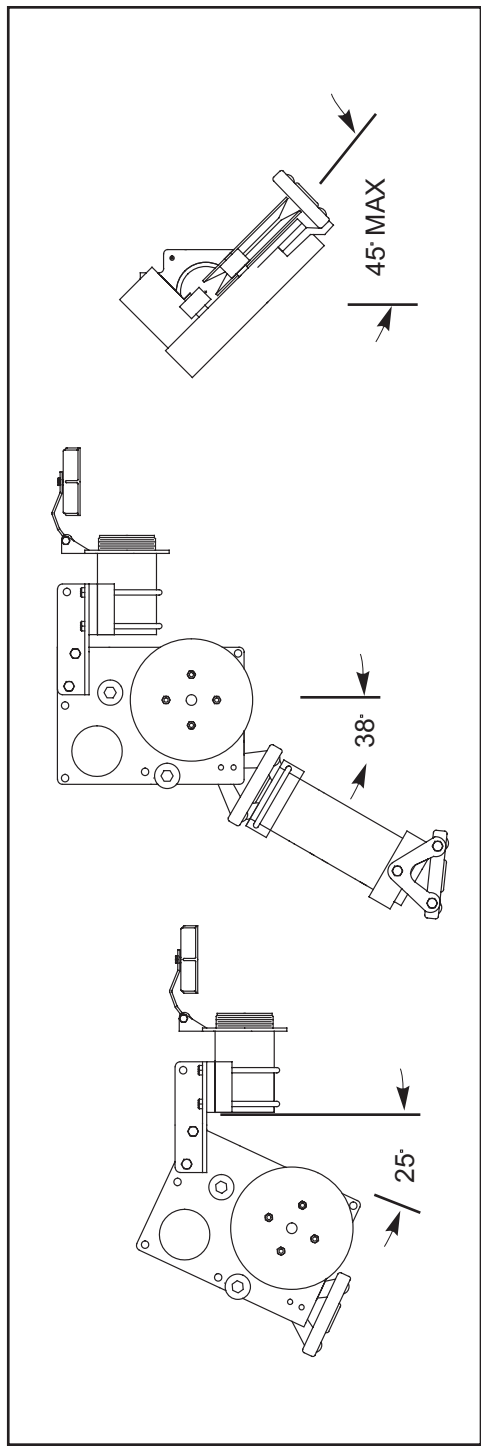
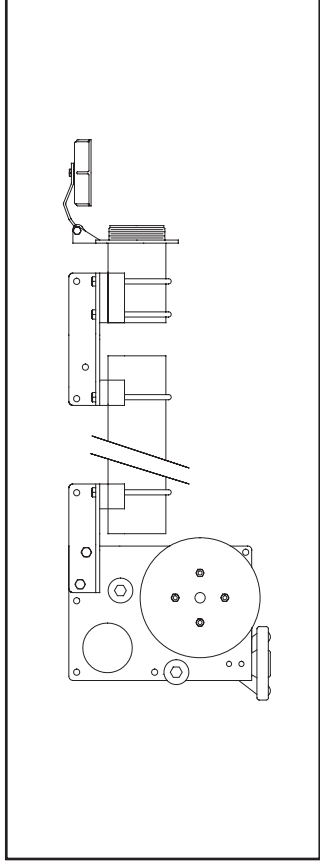
CLOSED COUPLED



VERTICAL EXTENSION



HORIZONTAL EXTENSION



GLENDDINNING
MARINE PRODUCTS, INC.

740 CENTURY CIRCLE • CONWAY, SC 29526 • P: 843.399.6146 • F: 843-399-5005 • www.glendinningprods.com