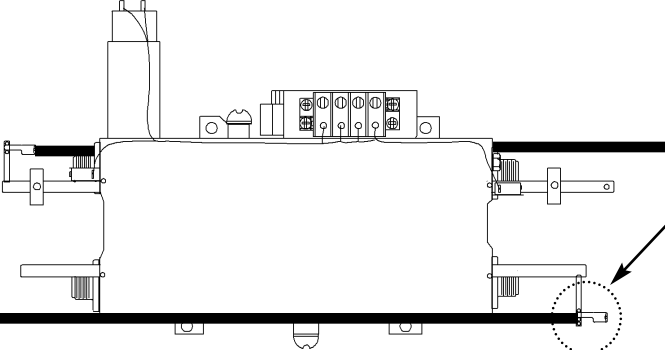




SYNCHRONIZER BRIDGE CABLE OVERTRAVEL ADJUSTMENT

1

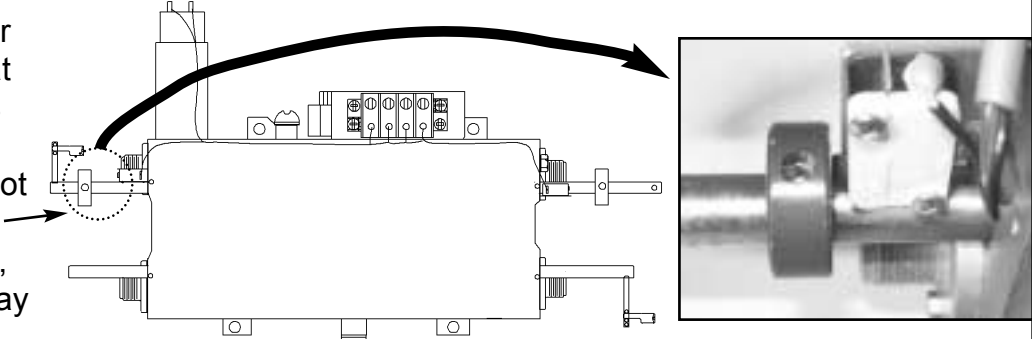


DO NOT DISCONNECT!!
Control Cable between
Synchronizer and Engine
Governor

With engines turned OFF, disconnect bridge control cable from Synchronizer.

2

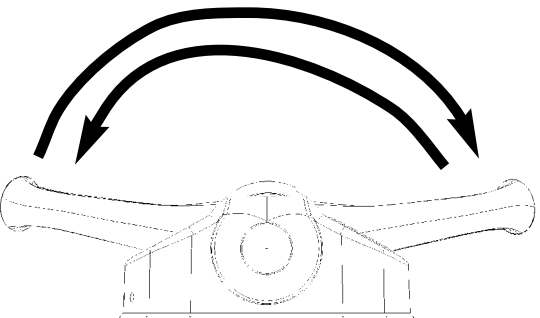
Move Synchronizer control rods so that engine governor is at the idle stop — red collar should not be touching the microswitch. If it is, back the collar away from the switch.



3

Cycle **SLAVE** engine handle to full throttle and then back to idle throttle position.

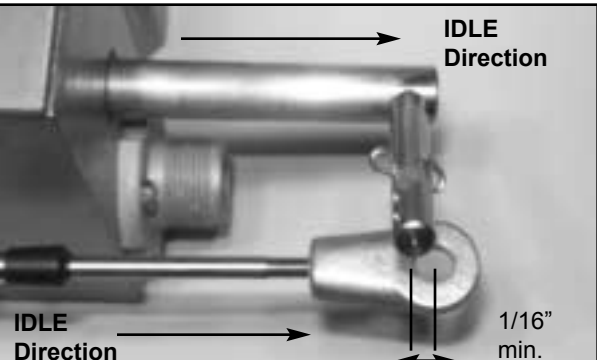
Leave **SLAVE** engine throttle handle at idle position.



4

With Synchronizer at engine idle position, and control handle at idle position, verify that control cable terminal eye travels farther in idle direction than Synchronizer is able to go. If it does not, adjust terminal eye to gain the 1/16" overtravel required

NOTE: Do not pull terminal eye after cycling control head in Step 3 above — leave "lost" motion inside cable.



5

Adjust full open overtravel adjustment the same way except that the Sync control rod should be moved to full open position. Make sure collar is away from the switch (see step 2). Push slave engine handle to full open (see step 3), then compare terminal eye position to the pivot pin on the Synchronizer. The terminal eye hole should travel at least 1/16" further than full open position.

NOTE: If this is adjusted much it will take away from the overtravel at idle position.



740 CENTURY CIRCLE / CONWAY, SC 29526 / 843.399.6146