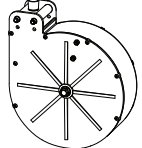
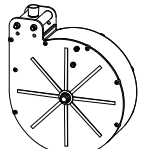
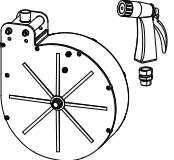
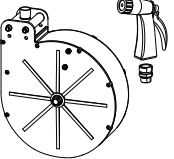
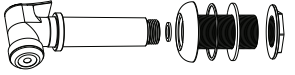
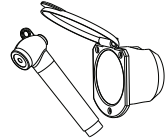
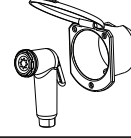



P/N	DESCRIPTION	HOSE LENGTH	
05550-08-X	Hosemaster Model-S™ (Base unit / sprayer optional) <i>NOTE: must specify type of mounting bracket (U=u-bracket, S=side bracket, E=edge bracket)</i>	8 ft. [2.4 meters]	
05550-16-X	Hosemaster Model-S™ (Base unit / sprayer optional) <i>NOTE: must specify type of mounting bracket (U=u-bracket, S=side bracket, E=edge bracket)</i>	16 ft. [4.9 meters]	
05551-16-X	Hosemaster Model-D™ (Base unit w/ deck wash sprayer & hose adapter fitting) <i>NOTE: must specify type of mounting bracket (U=u-bracket, S=side bracket, E=edge bracket)</i>	16 ft. [4.9 meters]	
05551-18-X	Hosemaster Model-D™ (Base unit w/ deck wash sprayer & hose adapter fitting) <i>NOTE: must specify type of mounting bracket (U=u-bracket, S=side bracket, E=edge bracket)</i>	18 ft. [5.5 meters]	
99582-DK	Deck sprayer attachment with thru-hull fitting <i>NOTE: used with U-bracket mounting assembly only.</i>		
99582-REC	Long sprayer attachment with hatch assembly		
99582-SN	Short sprayer attachment with hatch assembly		
99593	Deck wash sprayer attachment with hose adapter fitting <i>NOTE 1: The deck wash sprayer attachment is included when you purchase the Hosemaster Model-D™ (PN-05551-XX-X).</i> <i>NOTE 2: The deck wash sprayer attachment can also be used with any Hosemaster Model-S™ (PN-05550-XX-X) when purchased separately.</i>		

LIMITED WARRANTY

PRODUCT(S) COVERED BY THIS LIMITED WARRANTY: HOSEMASTER — MODEL-S, MODEL-D

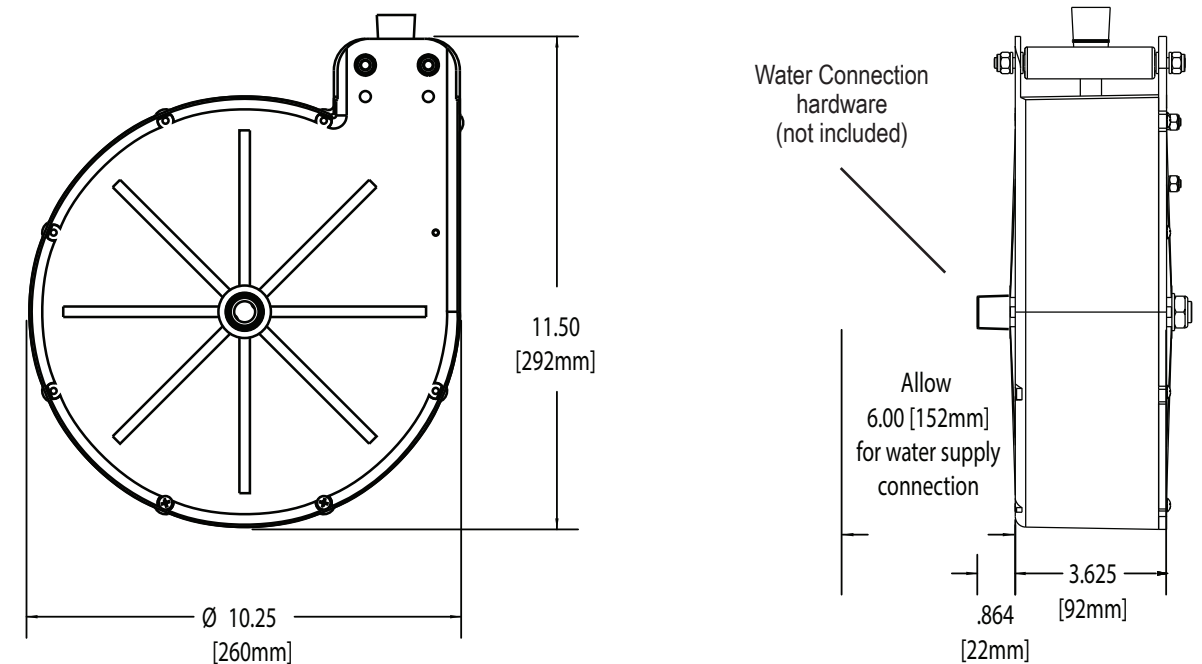
1. GLENDINNING MARINE PRODUCTS, INC. warrants to the original consumer purchaser that the Hosemaster will be free from defects in material and workmanship under normal use and service for a period of one (1) year from the date of purchase.
 2. This LIMITED WARRANTY applies to defects in material and workmanship. It does not apply to chromeplated or anodized finish or to power cable damage caused by inadequate cable storage area or installation not in accordance with GLENDINNING MARINE PRODUCTS, INC. specifications.
 3. This LIMITED WARRANTY is void if the product has been damaged by accident or unreasonable use, neglect, improper installation, or other causes not arising out of defects in material or workmanship.
 4. To obtain performance of this LIMITED WARRANTY obligation the original purchaser should contact GLENDINNING MARINE PRODUCTS, INC. for instructions concerning removal and shipping of the defective component. Upon compliance of the foregoing procedure all warranted defects will be repaired, or at GLENDINNING MARINE PRODUCTS, INC. option, the complete unit replaced and returned to the consumer, shipping charges prepaid.
 5. GLENDINNING MARINE PRODUCTS, INC. does not assume the costs of removal and/or installation of the product or any other incidental costs which may arise as a result of any defect in materials or workmanship.
- THIS WARRANTY IS IN LIEU OF ALL OTHER EXPRESS WARRANTIES. ANY WARRANTY IMPLIED BY LAW INCLUDING WARRANTIES OF MERCHANTABILITY OR FITNESS, IS IN EFFECT ONLY FOR THE DURATION OF THE EXPRESS WARRANTIES SET FORTH IN THE FIRST PARAGRAPH ABOVE. NO REPRESENTATIVE OR PERSON IS AUTHORIZED TO GIVE ANY OTHER WARRANTY OR TO ASSUME FOR GLENDINNING MARINE PRODUCTS, INC. ANY OTHER LIABILITY IN CONNECTION WITH THE SALE OF ITS PRODUCTS. GLENDINNING MARINE PRODUCTS, INC. WILL NOT BE LIABLE FOR ANY CONSEQUENTIAL DAMAGES RESULTING FROM THE USE OR INSTALLATION OF ITS PRODUCTS.

HOSEMASTER MODEL-S™ & MODEL-D™ INSTALLATION & OPERATION INSTRUCTIONS

△ **NOTE: Hosemaster Model-S™ or Model-D™ not approved for potable water applications** △

BEFORE INSTALLING THE HOSEMASTER MODEL-S™ OR MODEL-D™:

Careful consideration should be given to where the sprayer nozzle will be installed. Determine if sufficient space is available below the sprayer nozzle where the base unit will be installed. **MAKE SURE** to allow a minimum of 1.60" space on the 1/2" NPT outlet side of the unit for the installation of water connection hardware to the Hosemaster Model-S™ or Model-D™.



THERE ARE 4 DIFFERENT WAYS TO MOUNT YOUR HOSEMASTER MODEL-S OR MODEL-D:

1. U-BRACKET INSTALLATION (Fig. 1)

The U-Bracket is to be used with the thru-hull deck fitting (PN 99582-DK).

- 1) Attach the U-Bracket to the Hosemaster base unit by placing over the studs of the roller guide assembly. Attach the lock nuts and washers and tighten.
- 2) Using a 1.25" bit, drill a hole where you have determined sufficient space is available for the installation of the Hosemaster.
- 2) Remove the nut and gasket from the thru-hull fitting and insert thru-hull fitting into the hole.
- 3) Pull out a length of hose and insert the hose through the nut, mounting bracket and the gasket (in that order) onto the hose before inserting hose into the thru-hull fitting. Thread nut onto thru-hull fitting shaft and tighten.
- 4) Connect the sprayer attachment onto the sprayer adapter and pull and release hose to retract length of hose so that sprayer attachment fits into thru-hull fitting.
- 5) Connect a length of hose from the water source to the 1/2" NPT inlet connector located on the side of the reel. Hold nut on opposite side when tightening inlet fitting.

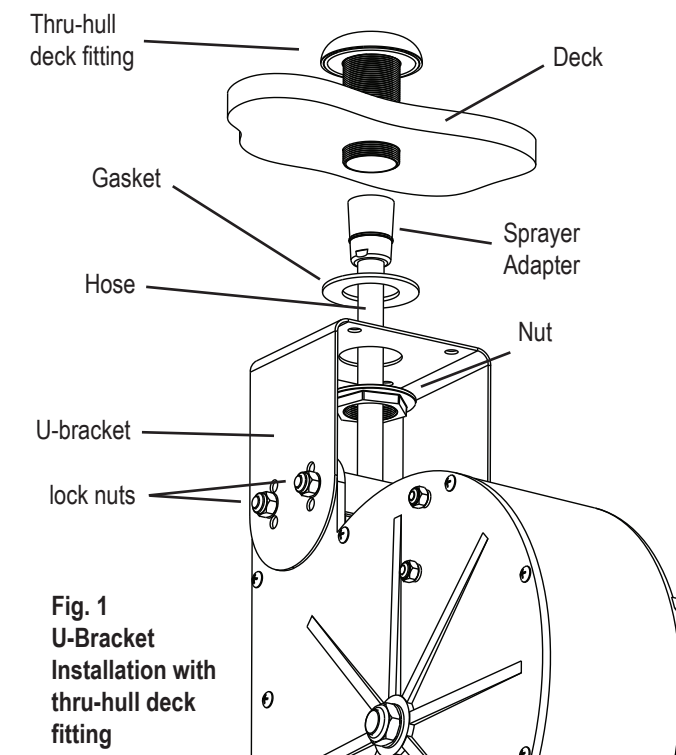


Fig. 1
U-Bracket
Installation with
thru-hull deck
fitting



740 Century Circle • Conway, SC 29526 • P: 843-399-6146 • F: 843-399-5005
www.glendinningprods.com

SML-HMS-INSTAL

2. SIDE BRACKET INSTALLATION (Fig. 2)

The side brackets are used when mounting the base unit to the ceiling or wall of a storage area.

1) Attach the side brackets to the Hosemaster base unit as shown in the illustration in Figure 2 using the (4) screws provided with the brackets. Tighten securely.

2) Install (4) 1/4 - 20 lock nuts and washers to roller shafts.

3) Depending on the configuration of the base unit for your installation, it may be necessary to attach the side brackets in one of the other locations on the side of the Hosemaster. As the illustrations depicts, you may rotate the side brackets around the face of the base unit to achieve the desired mounting location.

4) DO NOT attach the Hosemaster brackets to an exterior wall. Attach the side brackets to the ceiling or wall of the storage area using (4) #10 screws.

5) Connect a length of hose from the water source to the 1/2" NPT inlet connector located on the side of the reel. HOLD nut on opposite side of inlet fitting when tightening inlet fitting.

3. EDGE BRACKET INSTALLATION (Fig. 3)

The edge bracket is used when mounting the base unit to the ceiling, floor, and side or back wall of a storage area.

1) Unlike the side bracket installation above, you must install the edge bracket to the storage space BEFORE attaching the bracket to the Hosemaster. Make sure that you DO NOT attach the bracket to an exterior wall. Attach the edge bracket to the wall or ceiling / floor using (4) #10 type screws. Tighten securely.

2) Install (4) 1/4 - 20 locknuts and washers to roller shafts.

3) Depending on the configuration of the base unit for your installation, it may be necessary to attach the edge bracket in one of the other locations on the side of the Hosemaster. As the illustrations depicts, you may rotate the edge bracket around the width of the base unit to achieve the desired mounting location.

4) Attach the edge bracket to the Hosemaster base unit as shown in the illustration in Figure 3 using the (4) screws provided with the bracket. Tighten securely.

5) Connect a length of hose from the water source to the 1/2" NPT inlet connector located on the side of the reel. HOLD nut on opposite side of inlet fitting when tightening inlet fitting.

4. HATCH INSTALLATION (Fig. 4)

When using the Recessed Hatch Assembly, you will still be required to install the Hosemaster™ using one of the 3 methods described above. Two styles of hatch assemblies are available (PN 99582-REC shown and PN 99582-SN), each hatch assembly will be installed as indicated below.

1) Using a 2.75" bit, drill a hole where you have determined sufficient space is available for the installation of the recessed hatch assembly. Insert cap through hole and open cap exposing mounting screw holes.

2) Using three (3) #10 screws NOT provided, insert into screw holes in flange and tighten screws against mounting cup housing being careful not to break plastic flange with too much force.

3) Pull out a length of hose and insert it through the bottom of the hatch. Connect the sprayer attachment to the hose inserting rubber washer between hose adapter and sprayer attachment. Pull and release hose to retract hose so that sprayer attachment fits into the recessed hatch assembly.

4) Make sure cap closes securely.

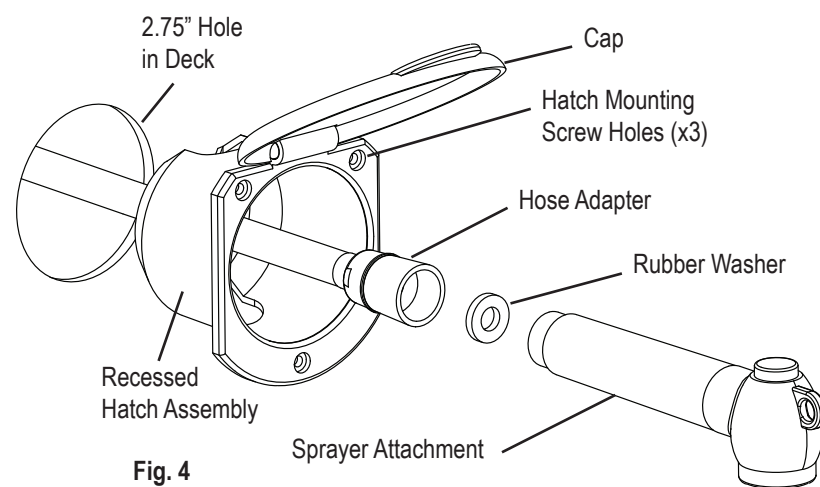


Fig. 4
Hatch Installation with sprayer

Fig. 2
Side Bracket Installation

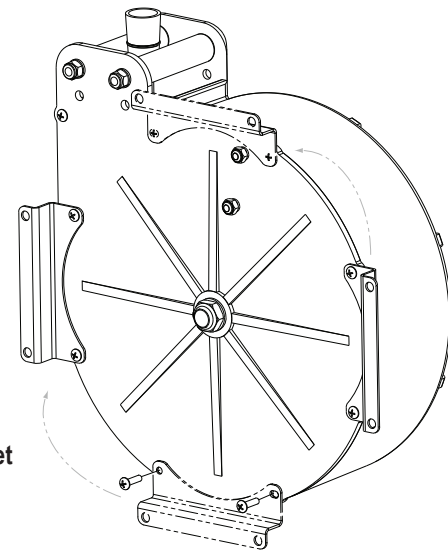
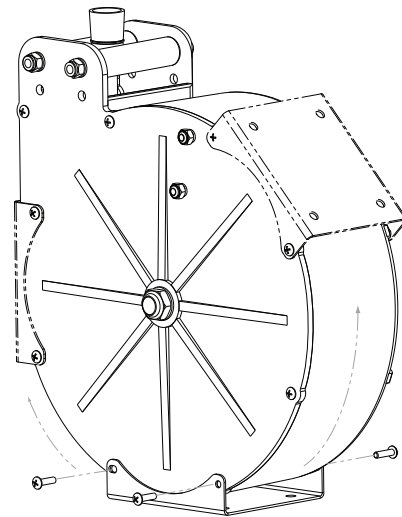


Fig. 3
Edge Bracket Installation



PROBLEMS DURING INSTALLATION

1. HOSE ALIGNMENT (Fig. 5)

The alignment of the hose to the roller guide assembly is crucial to the proper operation of the Hosemaster™. When installed correctly the hose should NOT pull to one side of the roller guide assembly as shown in the illustrations (right). Installation A and C show POOR alignment and should be avoided. Installation B shows GOOD alignment and is recommended for the best operation of the unit.

2. WATER CONNECTION (installer provided)

When determining where you will mount the Hosemaster™, ample space must be provided on the water connection side of the unit. The dimensional drawing on page 1 shows a minimum of 1.60" required for the addition of the water connection hardware (not provided with unit).

HOLD nut on opposite side of inlet fitting when tightening inlet fitting.

MAINTENANCE

The Hosemaster - Model S™ and Model-D™ are designed for longevity of operation with very little maintenance required.

- Any difficulty in the extension or retraction of the hose should be inspected immediately. Inspect water connections on a routine basis.

- When winterizing, caution should be taken to prevent freeze damage to Hosemaster - Model S™ or Model-D™.

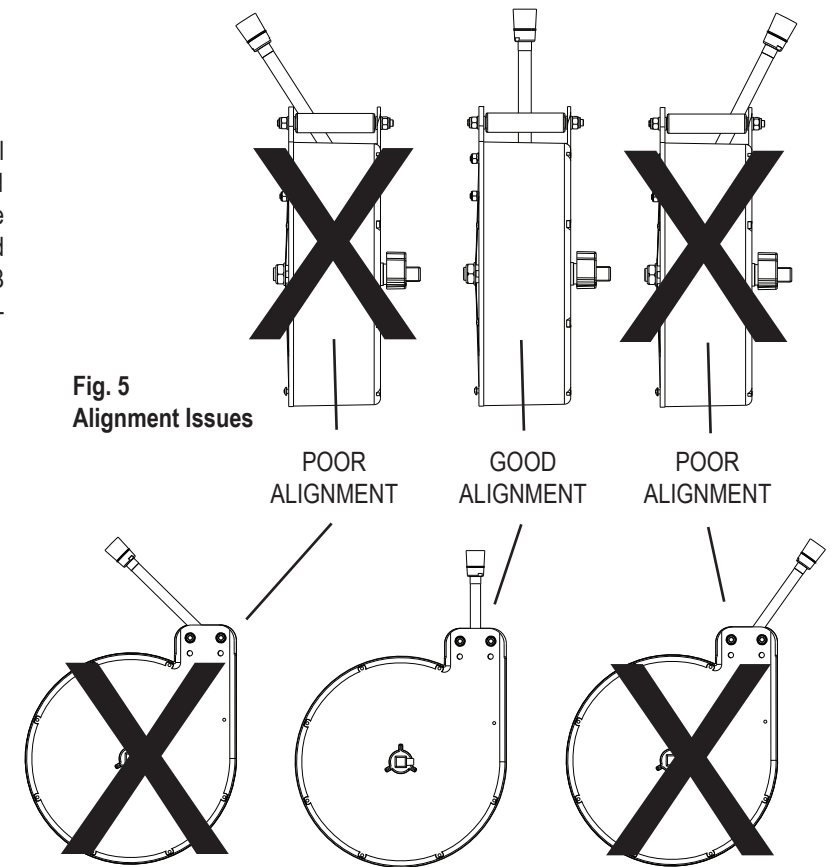
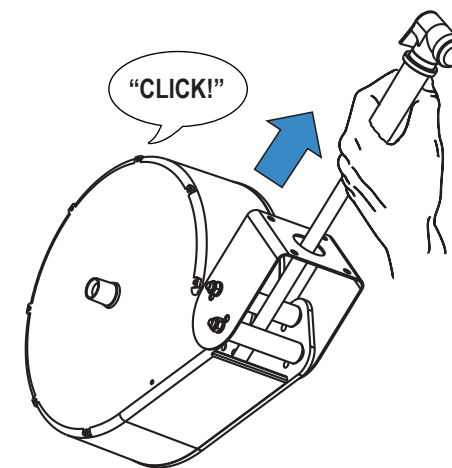


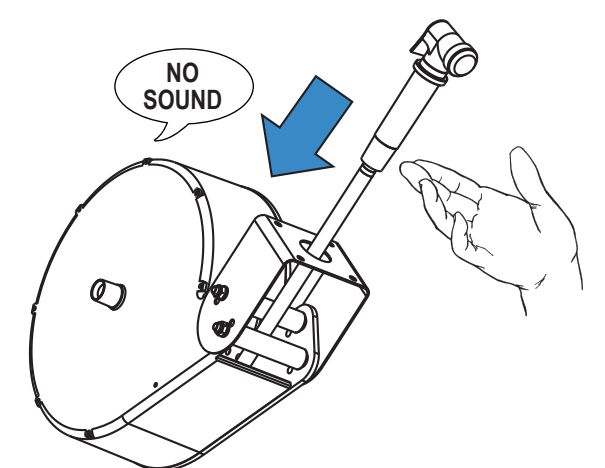
Fig. 5
Alignment Issues

OPERATION INSTRUCTIONS



TO EXTEND THE HOSE:

Pull out sufficient hose length until you hear an audible "click". Releasing tension when "click" is heard will lock hose length into place.



TO RETRACT THE HOSE:

Pull hose until NO CLICK is heard and release. Hose will automatically retract (CAUTION — Spray attachment may scratch or injure surface if left to retract unattended).