



CABLEMASTER

CRM-16 & CRM-32

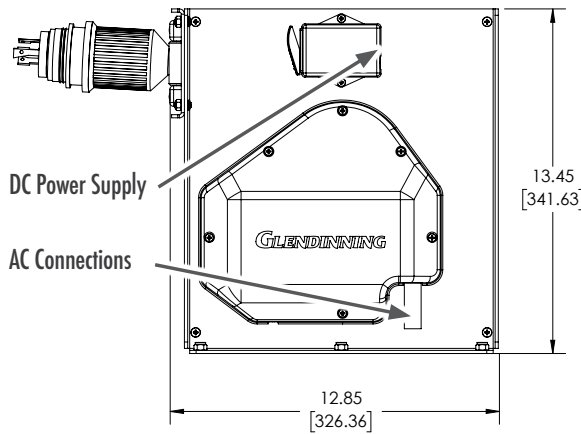
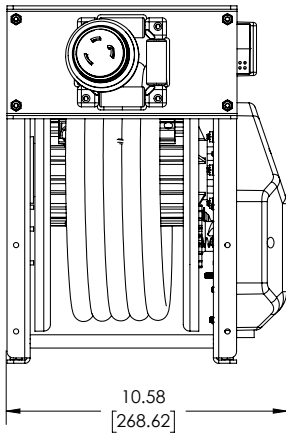


CRM Cablemaster units take all the work out of managing your boats shore power cable — available in both 16 amp and 32 amp versions, these self contained “ready to fit” systems, are supplied with a pre-installed length of high visibility yellow shore power cable and are fitted with a standard European pin and sleeve type dockside connector. The CRM Cablemaster’s drive system features an innovative clutch mechanism that allows the storage reel to “free wheel” making it easy and quick to use — simply pull out whatever length of shore power cable is required, and when its time to retract the cable, press and hold the control switch (supplied) to engage the powerful DC motor (12v or 24v) that will effortlessly retract the cable and re-store it on the reel.

Extend...
Retract...
Relax

- **EASY TO USE** — to extend the cable, simply manually pull out the amount of cable you need—then to retract it, press & hold the control switch and the cable will be retracted and stored on the reel.
- **“ZERO EFFORT” PULL-OUT FORCE** — Our unique drive motor mechanism (patent pending) remains completely disengaged while the cable is being extended.
- **COMPACT STORAGE** — Self contained unit, and can be mounted wherever there is “free space”.
- **EASY TO INSTALL** — A variety of mounting options make it quick and easy to mount the unit in any chosen position with or without hawse pipe.
- **TESTED & APPROVED** — UL, CSA, ABYC, CE, ISO8846 (Ignition protected)

CABLEMASTER CRM-16 & CRM-32 SPECIFICATIONS



VOLTAGE - - - - - 12V or 24V DC

OPERATING CURRENT - - 3-5 amps nominal
(15 amp peak)

CABLE - - - - - Supplied with
25m (16amp) or 15m (32amp)
of 3 core "high visibility yellow"

DOCKSIDE CONNECTOR- - Pre-wired blue pin
and sleeve type

SWITCH - - - - - Supplied with switch
and 1.8m switch cable

WEIGHT - - - - - 16amp —10kg [22 lbs.]
32amp —14.5kg [32 lbs.]

CERTIFICATIONS - - - - - UL,CSA,ABYC,CE,
ISO8846 (Ignition protected)



Part No.	Description
CRM-16-12-25M	12v 16amp Cablemaster cord reel
CRM-16-24-25M	24v 16amp Cablemaster cord reel
CRM-32-12	12v 32amp Cablemaster cord reel
CRM-32-24	24v 32amp Cablemaster cord reel
Options	
04049-CRM	Stainless Steel Hawse Pipe



For more information, contact our sales engineer or your local dealer today!



740 Century Circle
Conway, SC 29625
USA

PHONE: +1 843 399 6146
FAX: +1 843 399 5005
EMAIL: sales@glendinningprods.com

GLENINNINGPRODS.COM

