



CABLEMASTER™ Model CRM-30

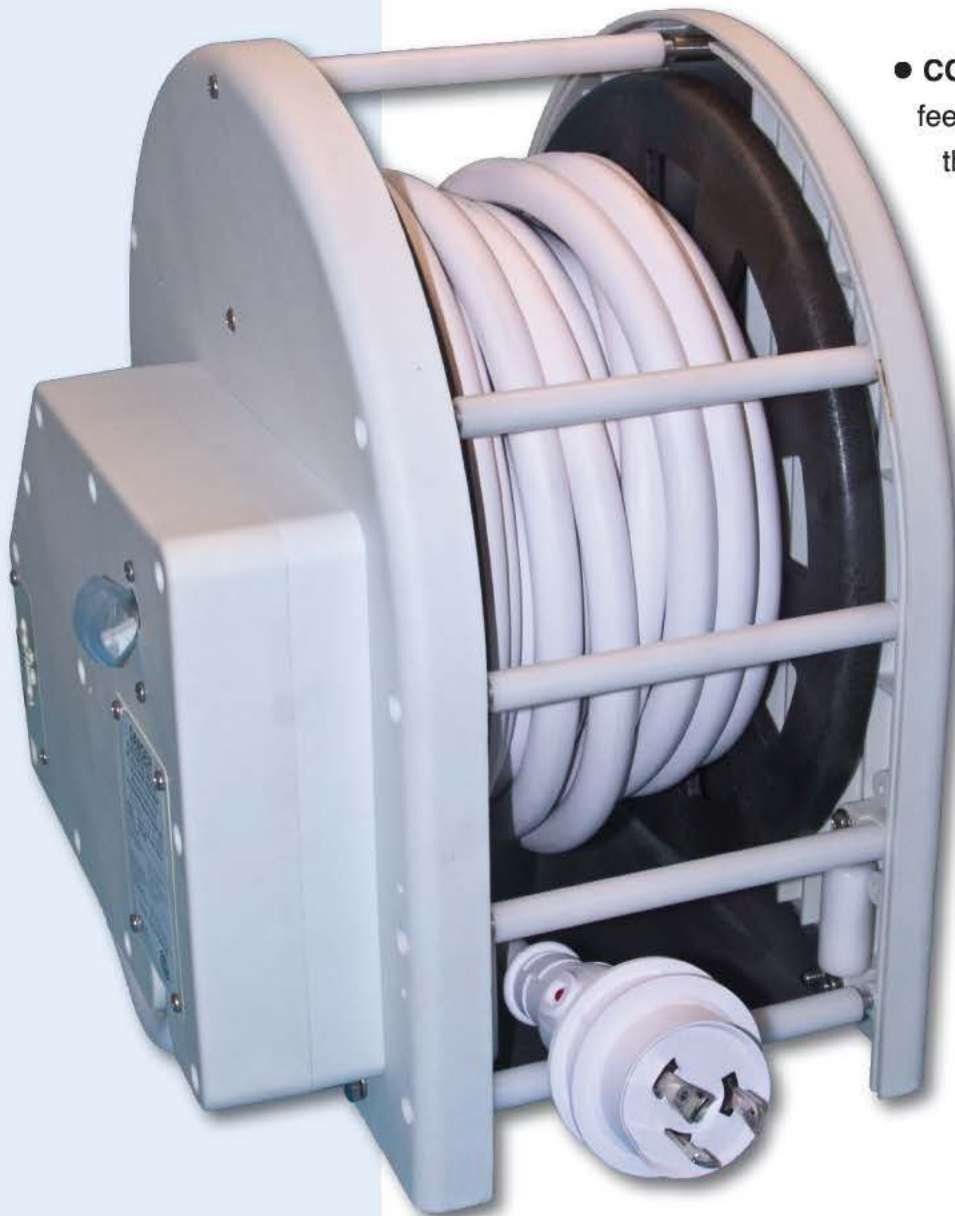
- **EASY TO USE** — Simply pull out the amount of shore power cable you need to make your connection. Push the button and the cable will retract and store on the reel.
- **“ZERO EFFORT” PULL-OUT FORCE** Our unique drive motor mechanism (patent pending) disengages itself when the cable is extended. No heavy pulling!

- **COMPACT STORAGE** Store 50-feet of 30 amp shore power cable in the smallest possible area.

- **EASY TO INSTALL** Our detachable mounting base makes it easy to mount the unit anywhere.

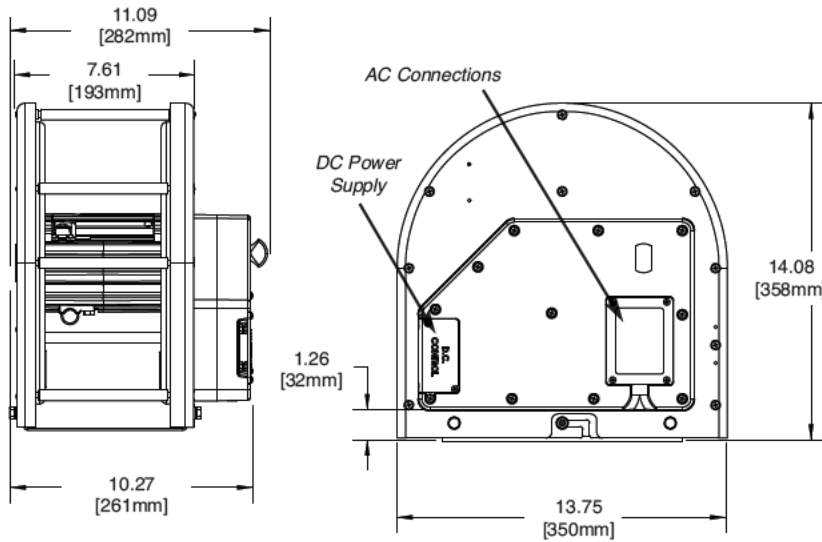
- **MARINE GRADE DESIGN** The Cablemaster™ product line is specifically designed for the marine environment built to last!

- **FULLY TESTED AND APPROVED** UL, CSA, ABYC, CE, ISO 8846 (Ignition Protected)



“Extend . . . Retract . . . Relax!”

CABLEMASTER™ — MODEL CRM-30 SPECIFICATIONS



VOLTAGE: 12 or 24 VDC
OPERATING CURRENT: 3-5 amps nominal
 15 amp peak load
CABLE SIZE: ...30amp
CABLE SPECIFICATION: #10AWG / 3 conductor
 white jacket 105°C rating
 includes molded plug
 with power available LED
(Molded plug on white cable only; Yellow cable has "bolt on" plug)
CABLE LENGTH: 50 feet
(including 50 ft. of 10/3 shore power cable)
WEIGHT: 32 lbs.
CERTIFICATIONS: tested to comply
 with UL standard 355
 tested for ignition protection
 meets all CE requirements

| Part No. | Description | Cable Jacket Color | Includes 6 foot "pigtail" |
|-------------|--|--------------------|---------------------------|
| CRM30-XX | Cablemaster™ — Model CRM-30 - incl. control switch (6 foot wire length) | White | No |
| CRM30Y-XX | Cablemaster™ — Model CRM-30 - incl. control switch (6 foot wire length) | Yellow | No |
| CRM30-XX-PT | Cablemaster™ — Model CRM-30 - incl. control switch (6 foot wire length) & 6 foot 30amp boat wire | White | No |

OPTIONAL FEATURES / ACCESSORIES:

• **Pre-wired boat wire for connection between cord reel and AC distribution panel** — this option provides a length of boat wire that is pre-terminated to the cord reel, which can then be used for connecting to the A/C distribution panel.

• **Hawse Pipe for cord exit** — provides a watertight exit for the power cord through the bulkhead. Various styles and types are available from plastic to stainless steel.



For more information, contact our sales engineer or your local dealer today!

740 Century Circle
Conway, SC 29526

Phone: (843) 399-6146
Fax: (843) 399-5005



**MADE IN
THE USA**

www.glendinningprods.com
SML CRM30 BROCC v3.0 10/11