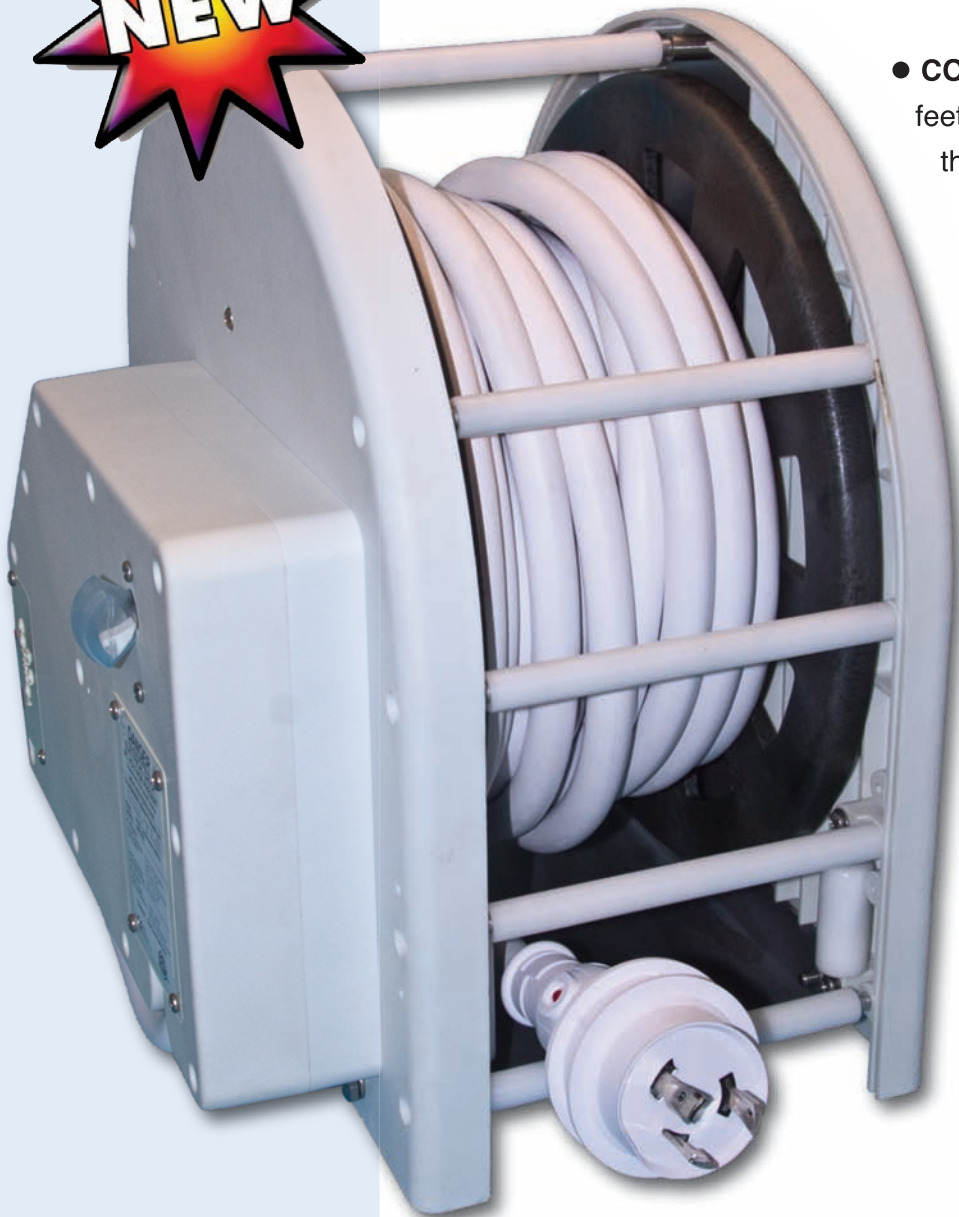




CABLEMASTER™

Model CRM-30



- **EASY TO USE** — Simply pull out the amount of shore power cable you need to make your connection. Push the button and the cable will retract and store on the reel.
- **“ZERO EFFORT” PULL-OUT FORCE** — Our unique drive motor mechanism (patent pending) disengages itself when the cable is extended. No heavy pulling!

- **COMPACT STORAGE** — Store 50-feet of 30 amp shore power cable in the smallest possible area.

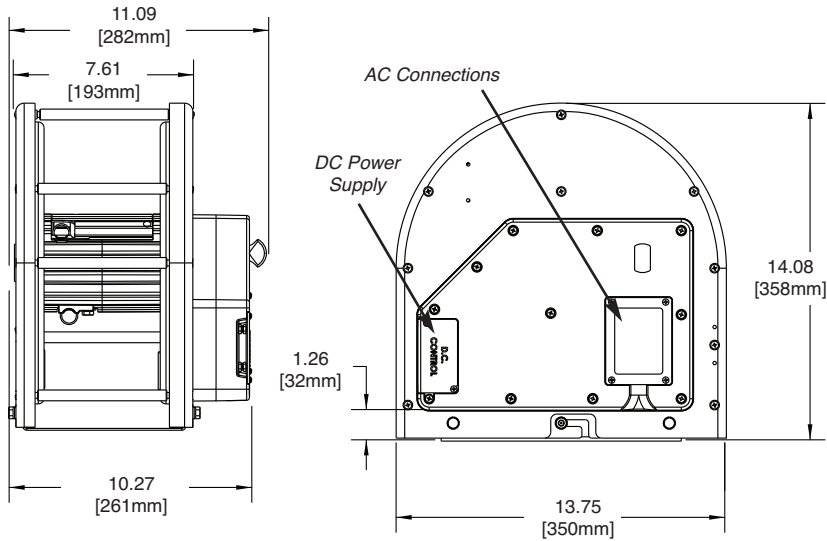
- **EASY TO INSTALL** — Our detachable mounting base makes it easy to mount the unit anywhere.

- **MARINE GRADE DESIGN** — The Cablemaster™ product line is specifically designed for the marine environment — built to last!

- **FULLY TESTED AND APPROVED** — UL, CSA, ABYC, CE, ISO 8846 (Ignition Protected)

“Extend . . . Retract . . . Relax!”

CABLEMASTER™ — MODEL CRM-30 SPECIFICATIONS

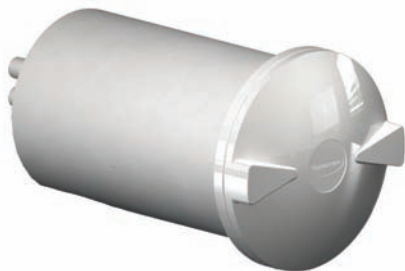


VOLTAGE:12 or 24 VDC
 OPERATING CURRENT:3-5 amps nominal
 15 amp peak load
 CABLE SIZE:30amp
 CABLE SPECIFICATION: #10AWG / 3 conductor
 white jacket 105°C rating
 includes molded plug
 with power available LED
 CABLE LENGTH:50 feet
 WEIGHT:32 lbs.
 (including 50 ft. of
 10/3 shore power cable)
 CERTIFICATIONS:tested to comply
 with UL standard 355
 tested for ignition protection
 meets all CE requirements

Part No.	Description	Length
04300-W50	Cablemaster™ — Model CRM-30 - incl. control switch (6 foot wire length)	50 feet
04300-W50-6	Cablemaster™ — Model CRM-30 - incl. control switch (6 foot wire length) & 6 foot 30amp boat wire	50 feet
04300-W50-B6	Cablemaster™ — Model CRM-30 - incl. control switch (6 foot wire length) & 6 foot 30amp boat wire / integrated 30 amp circuit breaker	50 feet

OPTIONAL FEATURES / ACCESSORIES:

- **Integrated 30amp circuit breaker** — provides protection from damage in the event of overload or a short circuit. Conveniently located on the side of the unit with easy, visual indication that the breaker has been tripped.
- **High temperature shut off sensor** — responds automatically when temperatures fall outside the safe, operating temperatures of the unit.
- **Pre-wired boat wire for connection between cord reel and AC distribution panel** — this option provides a length of boat wire that is pre-terminated to the cord reel, which can then be used for connecting to the A/C distribution panel.
- **Hawse Pipe for cord exit** — provides a watertight exit for the power cord through the bulkhead. Various styles and types are available from plastic to stainless steel.



*Plastic
Hawse Pipe*



*Stainless Steel
Hawse Pipe*



For more information, contact our sales engineer or your local dealer today!

740 Century Circle
 Conway, SC 29526

Phone: (843) 399-6146
 Fax: (843) 399-5005

www.glenninningprods.com



MADE IN
THE USA

SML-CRM30-BROC_v1.0