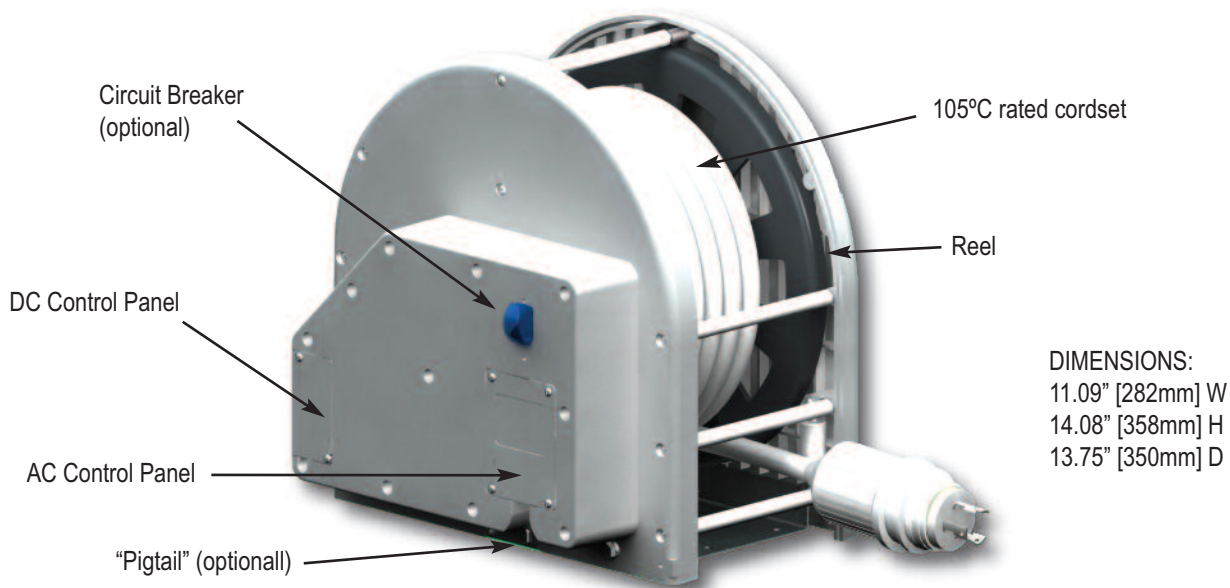


CABLEMASTER CRM-30 INSTALLATION & OPERATION INSTRUCTIONS



BEFORE INSTALLING THE CABLEMASTER CRM-30™:

Before installing the mounting bracket, identify the compartment where the Cablemaster™ will be installed. The Cablemaster™ **MUST BE** installed in an area that is sheltered from the elements. For proper operation of the Cablemaster™ the power cord exit **MUST** be centered with the center of the reel or the power cord will wrap on one side of the reel closest to the exit and could bind during retraction. If the exit is **NOT** centered, you will need to purchase additional accessories to aid in this installation. Measure the compartment to insure there is enough space for the Cablemaster™. Make sure that a 3-1/2" space (minimum) is allowed for electrical connections on the circuit breaker side of the Cablemaster™.

STEP 1. MOUNT CABLEMASTER™ (Fig. 1)

The Cablemaster™ comes with a mounting bracket for easy installation of the unit. Install the mounting bracket using bolts or screws (installer supplied) fastening the bracket to the floor, wall or top of the compartment.

Once the mounting bracket is secured to the compartment space you may connect the Cablemaster™ to the mounting bracket. Align the lock notches on the base of the unit with the corresponding pegs on the mounting bracket. Once the notches have been properly aligned, slide the unit locking it into place with the mounting bracket. Attach the Cablemaster™ to the mounting bracket using the bolts, washers and nuts supplied.

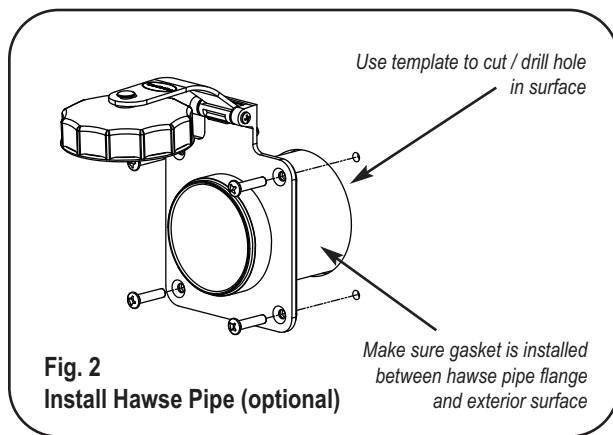
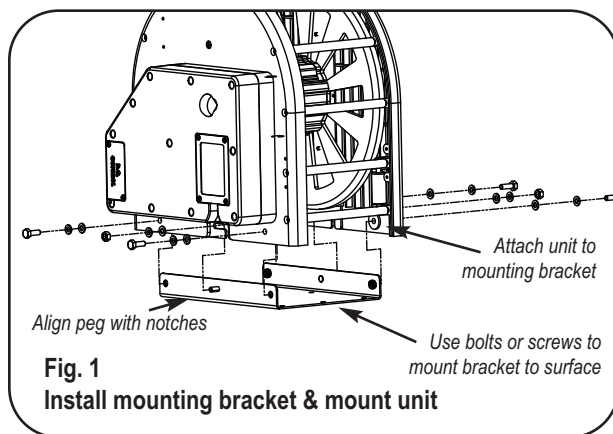
STEP 2. INSTALL HAWSE PIPE [optional] (Fig. 2)

The installation of the Hawse Pipe is optional. You may also use your existing Hawse Pipe or any storage space door that is accessible to where you want the power cord to exit.

If you purchased a Hawse Pipe from Glendinning, follow these instructions —

Using the template provided with the Hawse Pipe, mark the location of the Hawse Pipe. Before drilling or cutting, check to be certain that the area behind the Hawse Pipe is free of wires, plumbing or structural supports. Mounting surface should be a minimum 1/2" thick. Proper thickness may be achieved by using a butt block of marine-grade plywood behind the mounting surface.

Cut the Hawse Pipe's center hole and drill the four (4) 1/4" mounting holes. Using



a good quality marine beading compound, secure the Hawse Pipe to the surface using four (4) 1/4" x 20 x 1" stainless steel machine screws, washers, nuts and gasket supplied.

STEP 3. CONNECT AC POWER TO CABLE (Fig. 3)



All wiring should be done in accordance with ABYC's standards. If you are unsure of these standards, consult a qualified electrician.



Failure to wire correctly may result in DEATH, INJURY OR DAMAGE TO PERSONS, VESSEL OR UNIT.

If you purchased a Cablemaster™ model that comes equipped with a "pigtail" (PN 04300-W50-6 and 04300-W50-B6), the "pigtail" must be connected to the junction box or power switch that supplies 110v current to the boat's electrical system.

Strip the insulation from the end of the "pigtail" as well as the green, white and black wires within the insulation jacket. Attach appropriate connectors to each wire and attach to the junction box.

If you purchased a Cablemaster™ model that does not come equipped with a "pigtail" (PN 04300-W50) you must supply your own 10AWG wires to connect from the Cablemaster™ to the junction box. Attach the wires (green, black and white 10AWG) to the junction box as outlined above. Remove the cover to the Cablemaster™ (pictured) and attach terminal eye connectors to each end of the wires. Connect the wires to the power connections marked "B" for black wire, "G" for green wire and "W" for white wire. Re-attach cover.

STEP 4. CONNECT DC POWER TO UNIT (Fig. 4)



Before proceeding DISCONNECT the 12vDC power source!

All wiring should be done in accordance with the instructions contained in the National Electrical Code. If there is any uncertainty as to the proper methods of wiring, a qualified and competent electrician should do the wiring.

Remove the "DC Control" cover on the unit and identify how many DC post connections your unit has. Refer to the wiring diagram on the opposite page for your Cablemaster™ model. Using 16awg wire with ring connectors, connect one end of the wire to battery positive (+) and the other end to the post marked "DC (+) 12V" on the DC Control Panel. Connect battery negative (-) connection and the other end to the post marked "DC (-) 12V" on the DC Control Panel. DO NOT replace cover — proceed to next step.

STEP 5. INSTALL POWER SWITCH (Fig. 5)

For convenience and ease of operation, the momentary ON power switch should be mounted near the Hawse Pipe or in a location where the power cable exits the boat.

Remove the two (2) screws which hold the momentary ON power switch and switch cover plate to the Cablemaster™. Route the wiring to the appropriate position near the Hawse Pipe as outlined above. Cut a hole approximately 1.65" H x 1.00" W. Remove the power switch terminal eye connectors from the posts located at the bottom

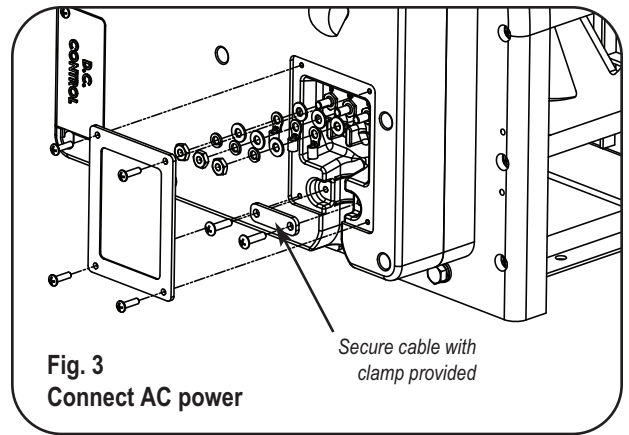


Fig. 3
Connect AC power

Secure cable with clamp provided

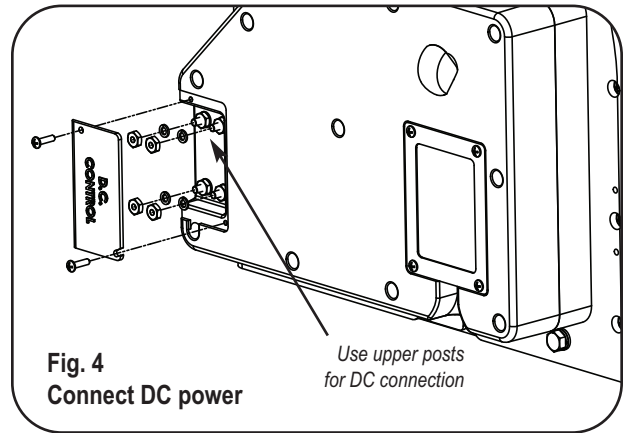


Fig. 4
Connect DC power

Use upper posts for DC connection

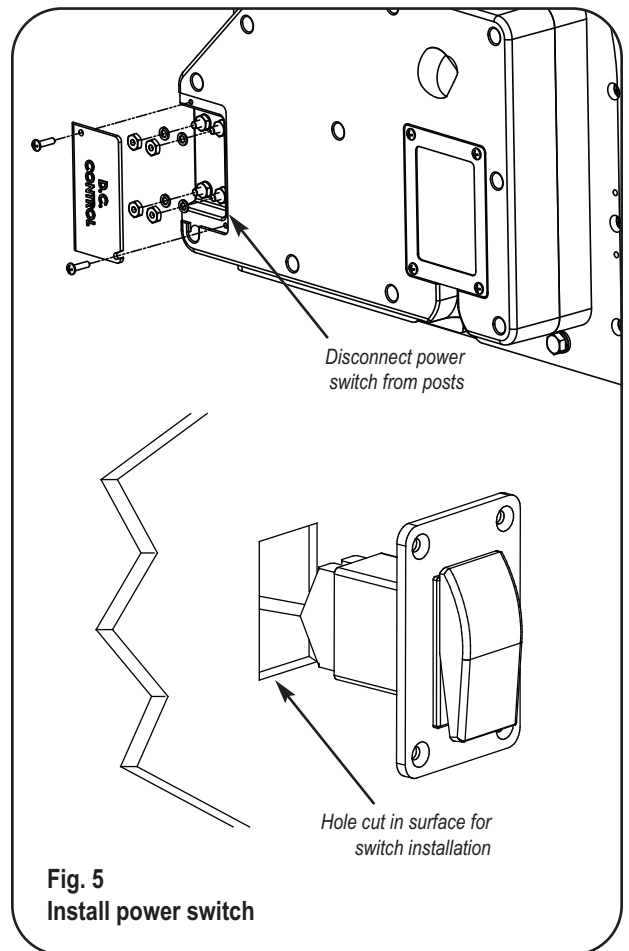


Fig. 5
Install power switch

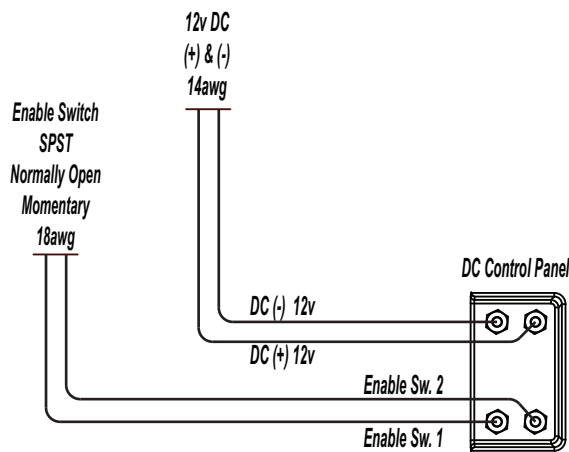
Disconnect power switch from posts

Hole cut in surface for switch installation

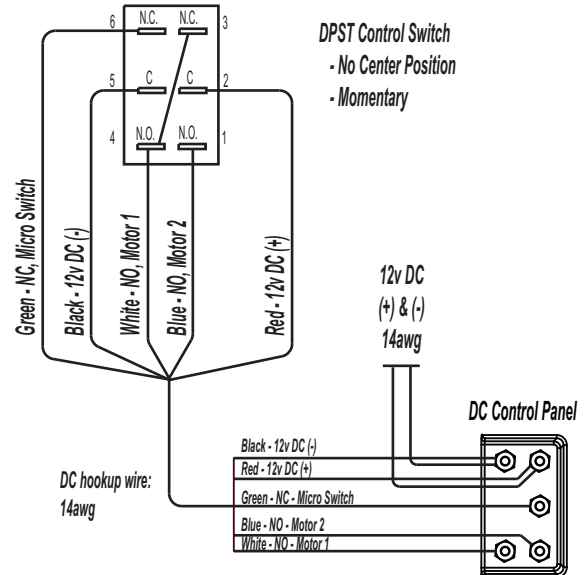
of the DC Control box and route the 14-gauge conductor wire through the hole. Attach the momentary ON power switch using the four (4) screws in the switch plate. Replace DC Control box cover removed in Step 4. Remember to re-connect the 12vDC power source that you disconnected at the start of Step 4.

DC WIRING DIAGRAM

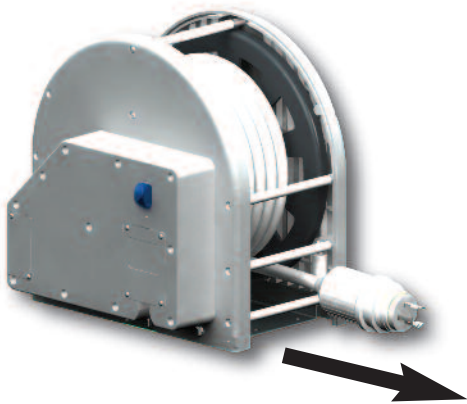
4 POST DC WIRING CONFIGURATION



5 POST DC WIRING CONFIGURATION

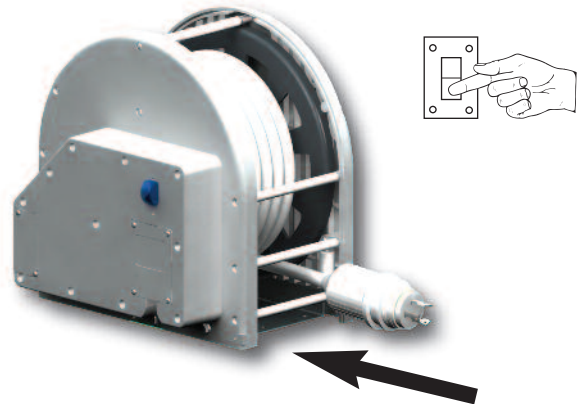


OPERATION INSTRUCTIONS



TO EXTEND THE POWER CORD:

Pull out sufficient cord length that will allow you to route shore power cord to the electrical distribution box and plug the molded end into the receptacle.



TO RETRACT THE POWER CORD:

Press and hold the button and the power cord will automatically retract (**CAUTION** — it is advisable to monitor the progress of the power cord as it retracts and stores onto the reel).

MAINTENANCE

- Experience has shown that when only a short section of the power cable is regularly used, the cable may be subject to “kinking”. To relieve this condition, routinely extend the power cable completely and stretch it on any smooth surface. Allow the Cablemaster™ to then retract the cable onto the reel.
- At least once a year, inspect all AC and DC wiring connections and make sure they are free of corrosion.
- Periodically inspect the exterior jacket of the power cable for nicks or cuts.
- If your power cable is dirty any cleaner should be compatible with the outer jacket material of the power cable.
- If needing to replace power cordset USE ONLY 105°C RATED CORDSETS.

