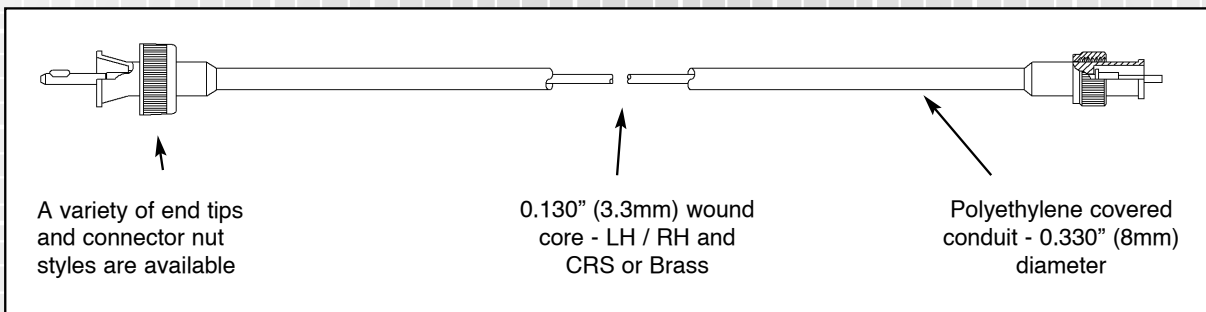


# Rotary Drive Cables



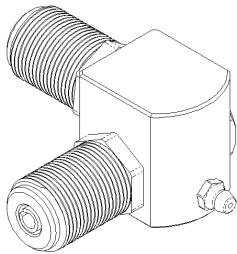
In addition to “push-pull” control cables, *Glendinning* also manufactures a large variety of rotary drive cables under the brand name “Slim Green.” Typically used for tachometer or speedometer applications, “Slim Green” cables are notable for many key features and benefits:

- **Molded / Sealed ends** - The ends of the cable have molded plastic end ferrules, protecting the core of the cable (and your instrument) from moisture and contamination.
- **Self-lubricated** - The inner liner of the conduit is self-lubricating high density polyethylene; no metal to contact between the core and conduit!
- **Protected Conduit** - A thick coating of high-density polyethylene covers the conduit, protecting it from moisture and corrosion.
- **“Slim” Construction** - The outside diameter of the cable is only 0.300” — much smaller than other tachometer cables!



Contact Glendinning with your rotary drive cable requirements!

# Rotary Drive Joints



*Glendinning* manufactures a variety of drive joints for different applications:

- Speed changing
- Rotation reversing
- Single input / dual output
- Replacement drive joints for Detroit Diesel engines

Mechanical drive adapters are also available for engines that do not have this capability — Volvo, Yanmar, Caterpillar, etc.

Contact Glendinning with your rotary drive joint requirements!



740 Century Circle  
Conway, SC 29526  
P: (843) 399-6146  
F: (843) 399-5005  
E: [sales@glendinningprods.com](mailto:sales@glendinningprods.com)  
[www.glendinningprods.com](http://www.glendinningprods.com)

MCB4 — 01/03



Tach Cables & Drive Joints