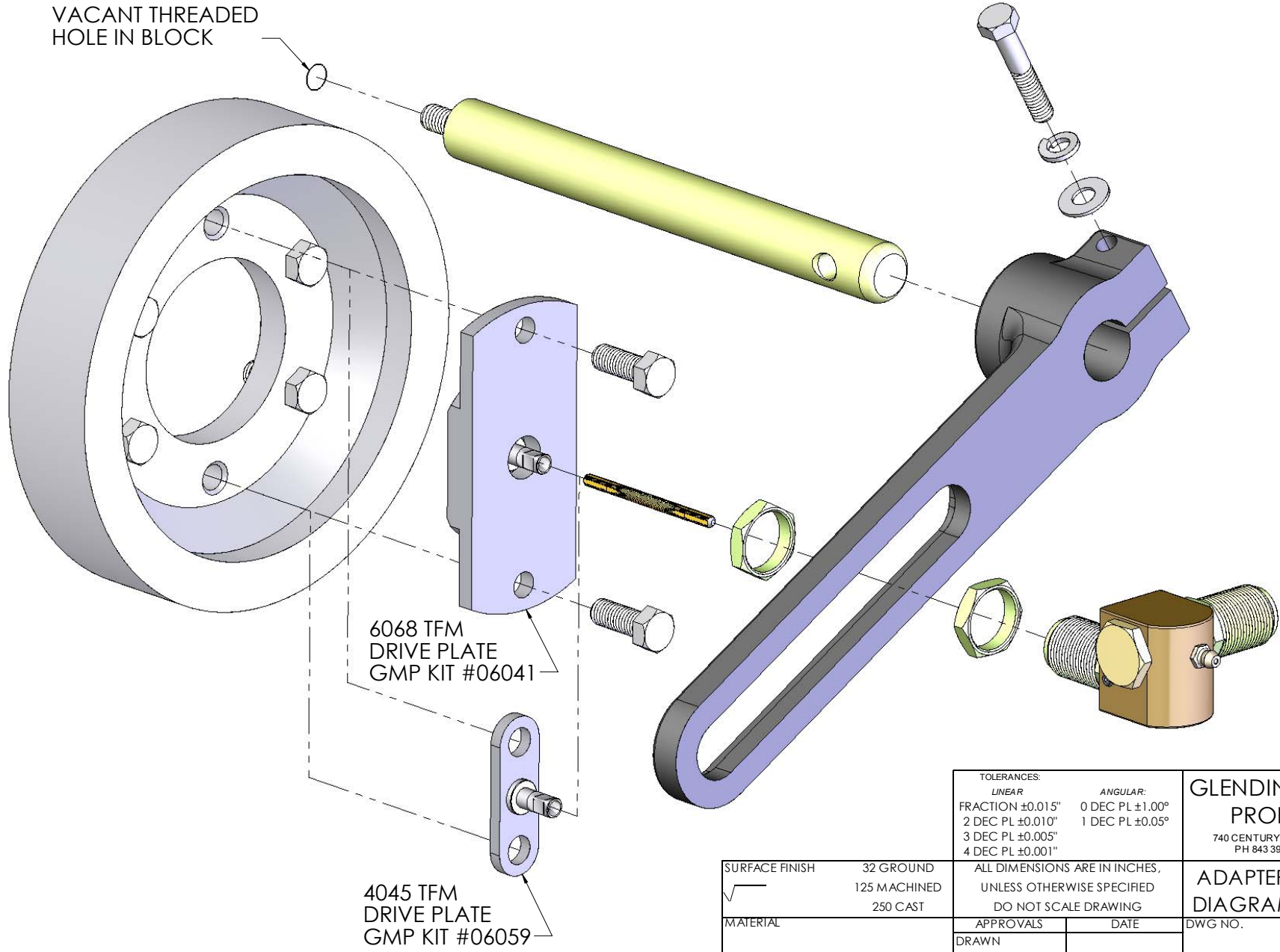


THE INFORMATION CONTAINED IN THIS DRAWING IS THE SOLE PROPERTY OF Glendinning Marine Products Inc. ANY REPRODUCTION IN PART OR WHOLE WITHOUT THE WRITTEN PERMISSION OF Glendinning Marine Products Inc. IS PROHIBITED.

REV	DESCRIPTION	ECN #	INIT	DATE
A	INITIAL RELEASE	2942Fq	DWJ	8/26/05



TOLERANCES:	
<i>LINEAR</i>	<i>ANGULAR:</i>
FRACTION $\pm 0.015''$	0 DEC PL $\pm 1.00^\circ$
2 DEC PL $\pm 0.010''$	1 DEC PL $\pm 0.05^\circ$
3 DEC PL $\pm 0.005''$	
4 DEC PL $\pm 0.001''$	

**GLENDINNING MARINE PRODUCTS INC.**  
 740 CENTURY CIRCLE, CONWAY SC 29526  
 PH 843 399 6446 FAX 843 399 5005

SURFACE FINISH	32 GROUND	ALL DIMENSIONS ARE IN INCHES, UNLESS OTHERWISE SPECIFIED DO NOT SCALE DRAWING
	125 MACHINED	
250 CAST		
MATERIAL	APPROVALS	DATE
	DRAWN	
FINISH	DWJ	8/26/05
	CHECKED	

ADAPTER INSTALLATION DIAGRAM - JOHN DEERE		
DWG NO.		
SIZE	SCALE	REV.
A	NTS	A