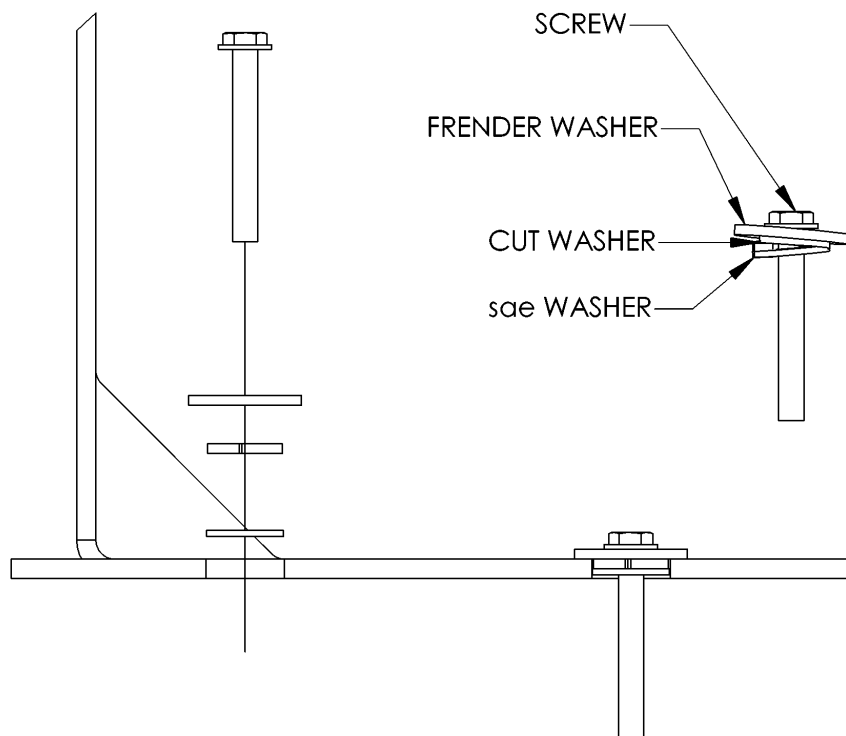


HOSEMASTER MOUNTING INSTRUCTIONS

- 1) Determine location of HoseMaster leaving appropriate clearance for installation connection kit.
- 2) Mark mounting holes by using template on reverse side.
- 3) Drill mounting holes and install using washer configuration as shown in detail below.
- 4) Tighten screws until plate fits snug under fender washer.
- 5) Install installation plumbing onto HoseMaster and perform leak check.
- 6) Slide HoseMaster onto mounting screws and install hold down screws to front of plate.
- 7) Connect wires and mount switch.
- 8) Test circuit breaker by holding power switch down. Circuit breaker should disconnect power when working correctly. Push circuit breaker in to reset.



HOSEMASTER MOUNTING TEMPLATE

This template is provided to ease installation of the HoseMaster. Models with a short base only require two (2) back screws. Otherwise use as many mounting points as possible.

