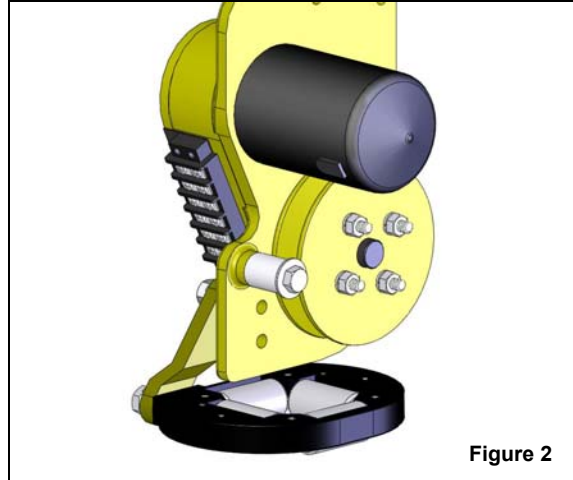
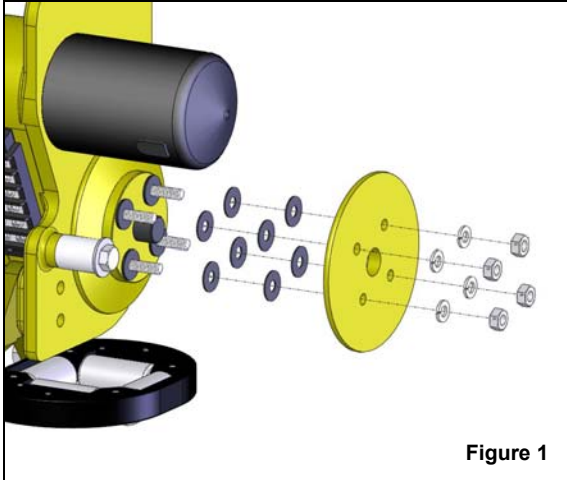


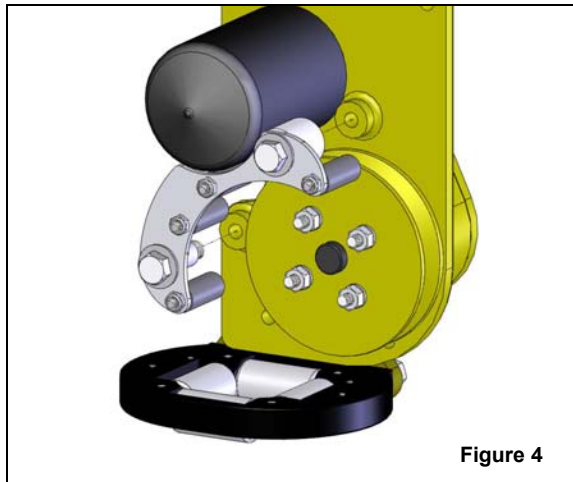
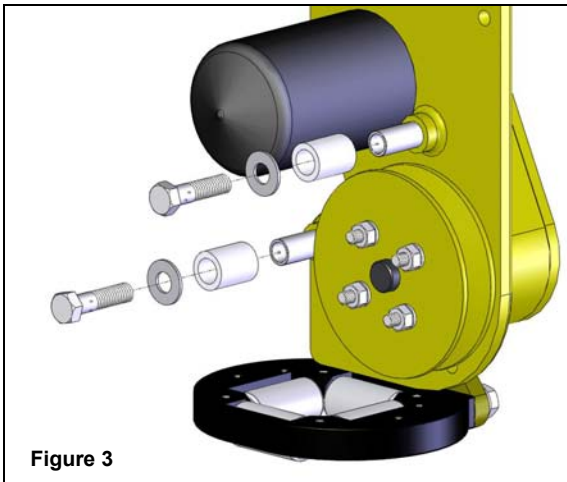


Standard CM-4 to Euro CM-4 Conversion

1. Remove (4) 1/4-20 nuts (74002), (4) 1/4 lockwashers (73001) and outer pulley (50504) from standard CM-4 pulley assembly. Remove (2) spacers (65005) from each 1/4-20 x 1 1/4 bolt (70536) for a total of (8) spacers removed. There will be (2) spacers per bolt left on the pulley assembly for a total of (8) spacers remaining.
2. Install outer Euro pulley (50504-E) and secure using the lockwashers and bolts that were removed in the previous step.



3. Remove (2) 3/8-16 x 1 1/2 bolts (70449), (2) 3/8 x 7/8 washers (72412), (2) .75 x 1.0 rollers (85515) and (2) roller bushings (51442) from CM-4 chassis (50501).
4. Obtain CM-4 Euro roller assembly (05032) and secure to CM-4 chassis as shown in Figure 4.





Standard CM-4 to Euro CM-4 Conversion

