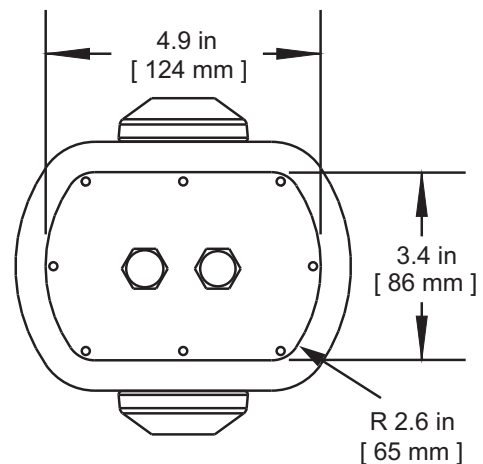
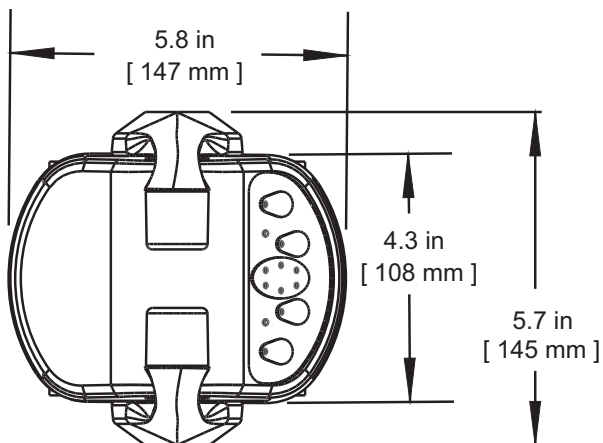
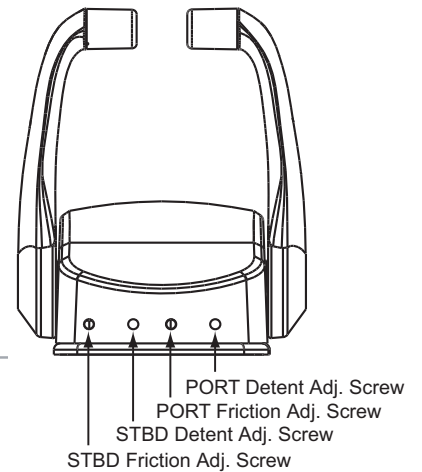
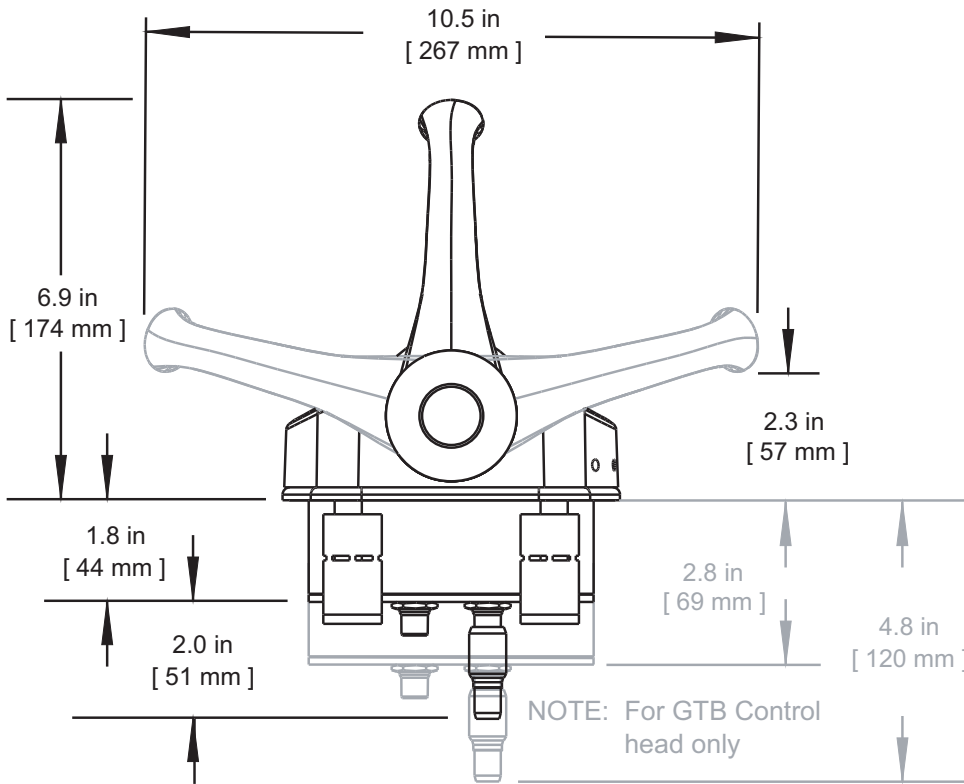
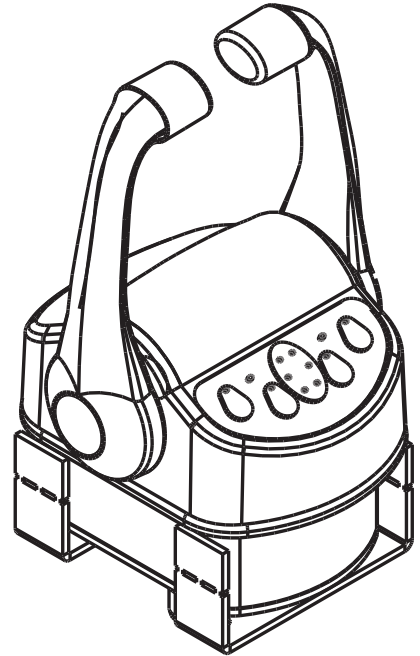


Complete Controls™ Component Dimensions

Control Head

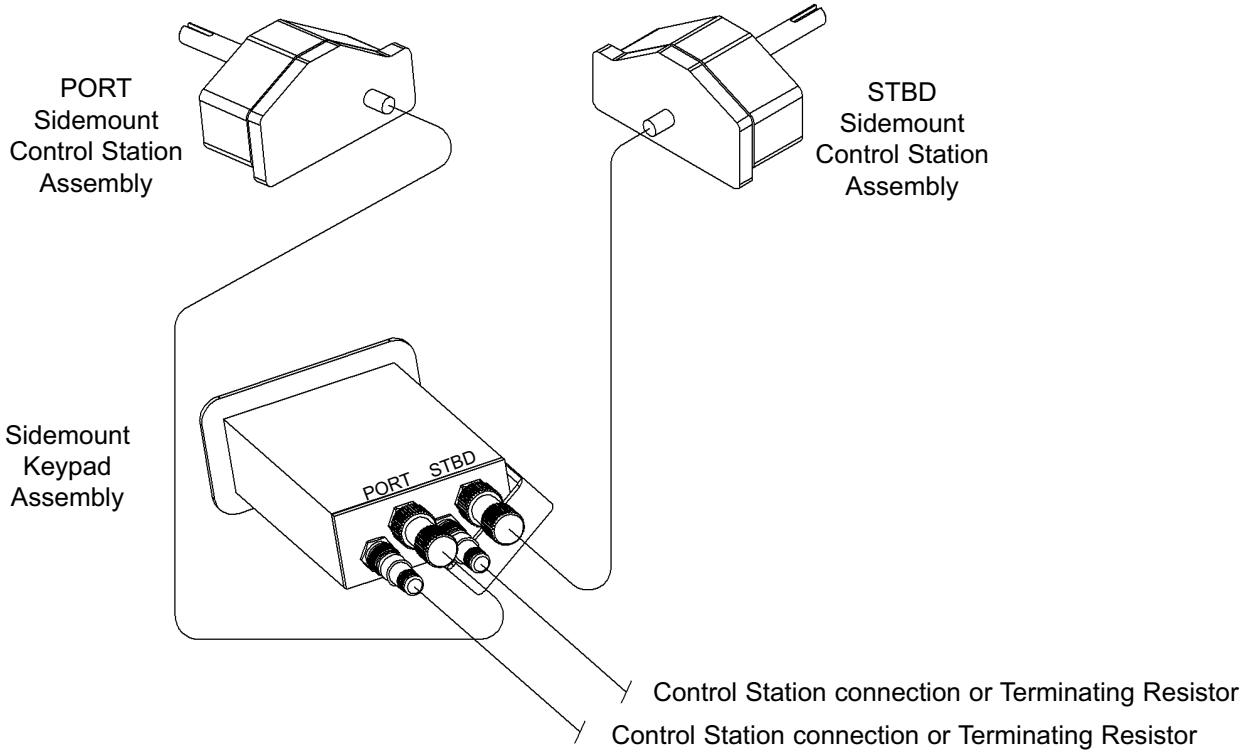
Top Mount Control Head - GMP PN - 11413-XXXX
GTB Control Head - GMP PN - 11413-XXX-GTB



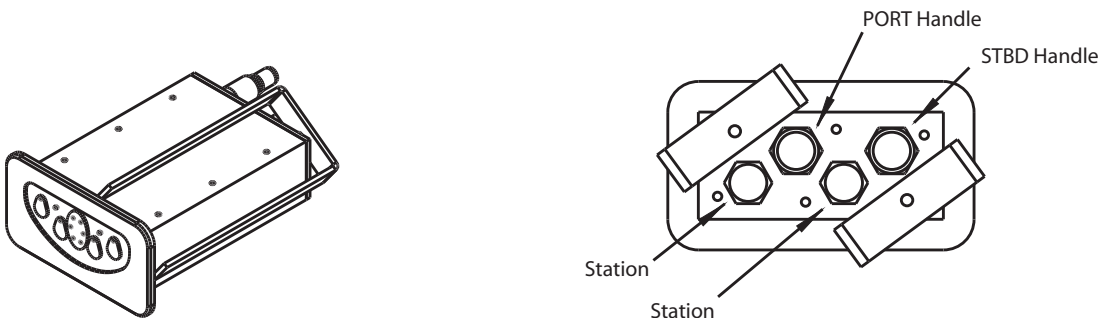
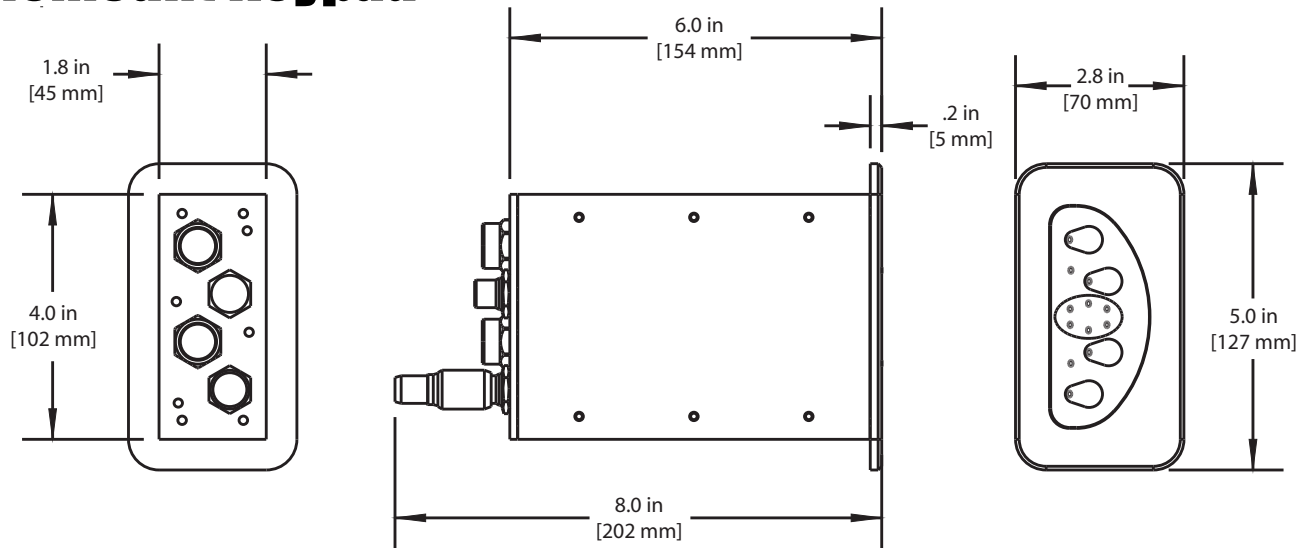
Sidemount Keypad Assembly Wiring

Sidemount Keypad Assembly - GMP PN - 11437-XX

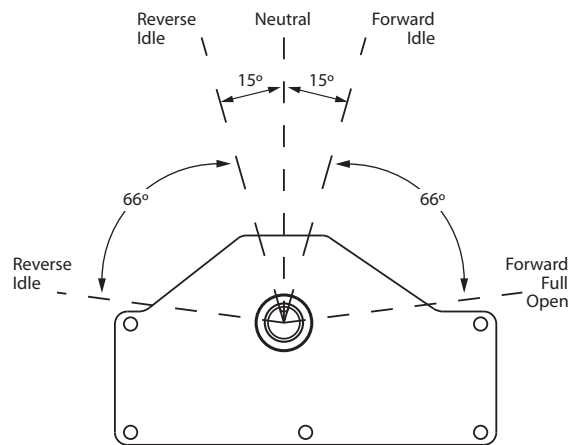
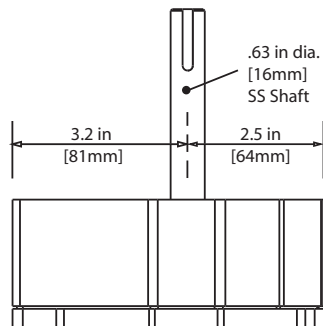
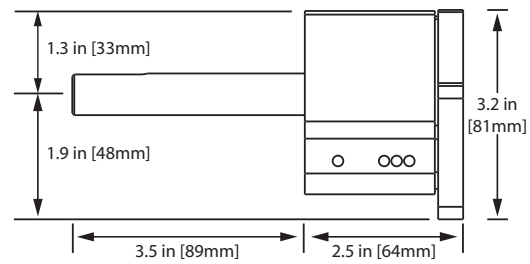
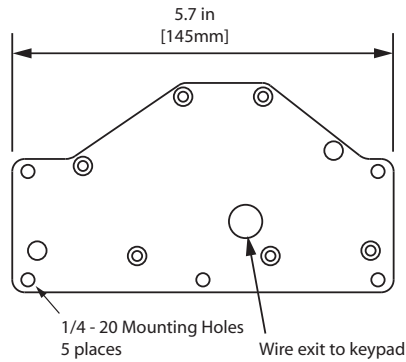
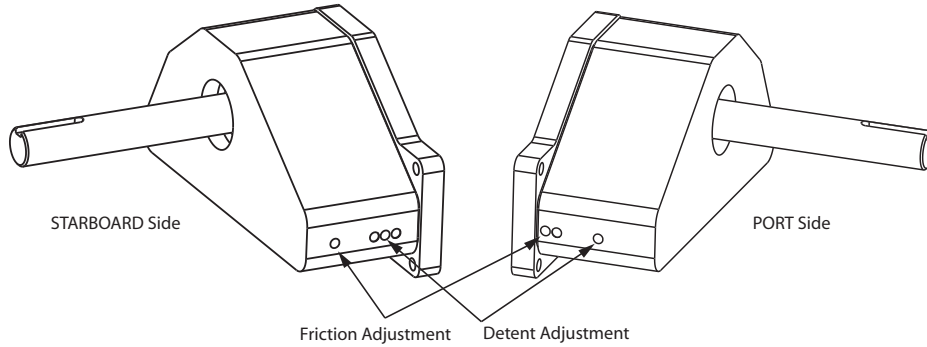
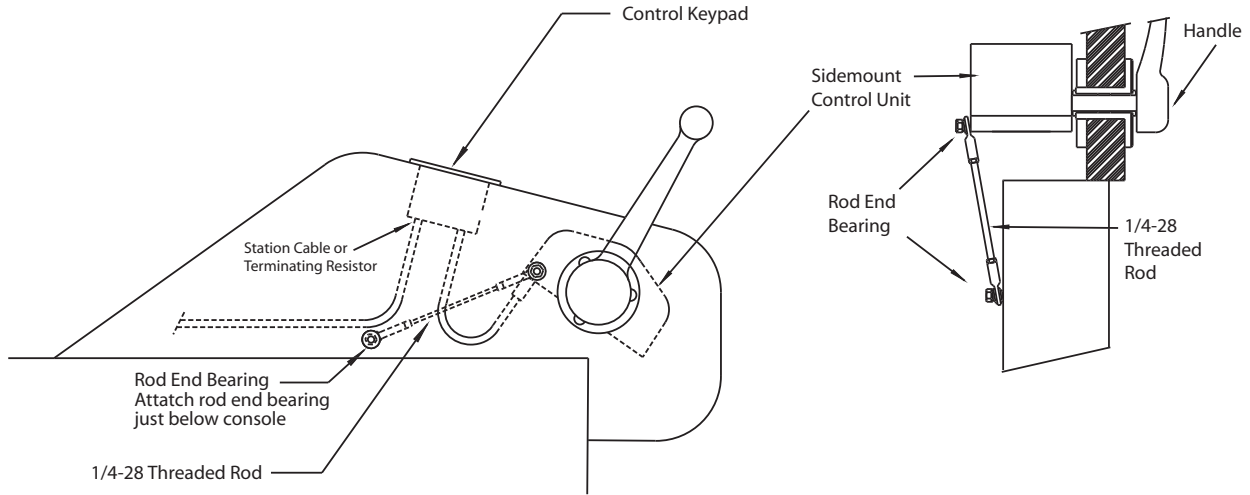
Sidemount Keypad Assembly w/STBD - GMP PN - 11437-XX-STBD



Sidemount Keypad



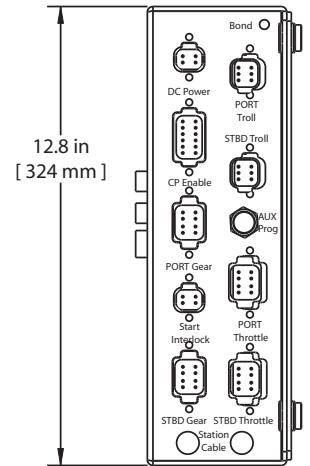
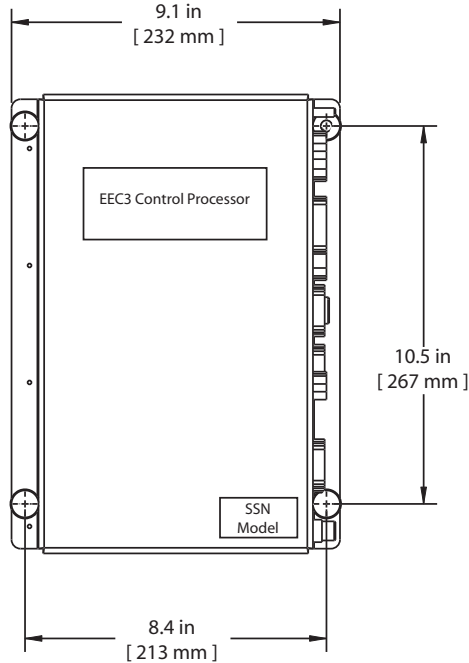
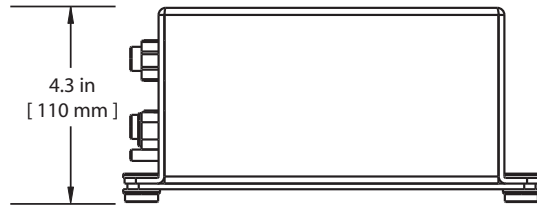
Sidemount Handle Assembly



(STARBOARD Side Handle Shown)

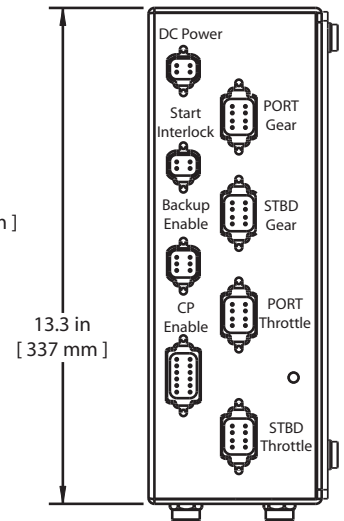
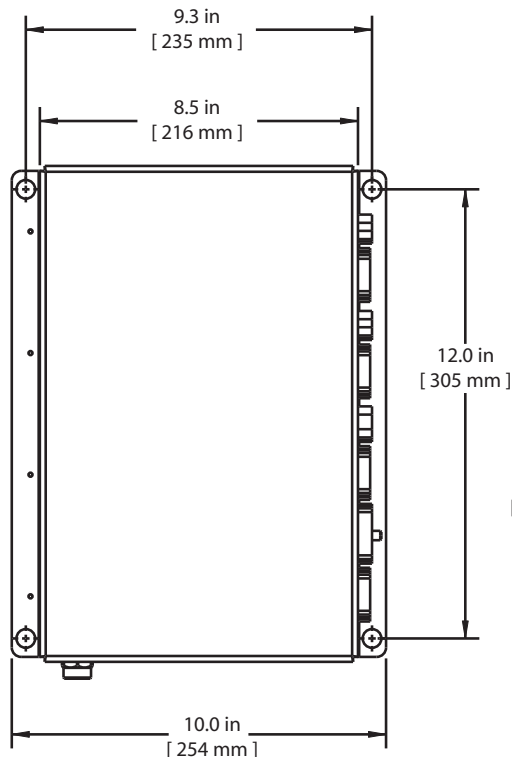
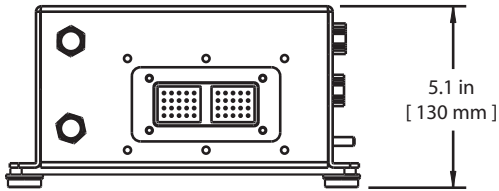
EEC-3 Control Processor

GMP Part No. - 11230-XX



GTB Control Processor

GMP Part No. - 11251-XX



FOR MORE INFORMATION ON THE GLENDINNING COMPLETE CONTROLS™ SYSTEM, CONTACT:

EEC3D_V2.0



GLENDINNING
MARINE PRODUCTS, INC.

www.glendinningprods.com

740 CENTURY CIRCLE
CONWAY, SC 29526
(843) 399-6146
FAX: (843) 399-5005