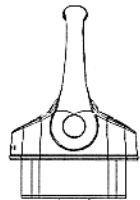
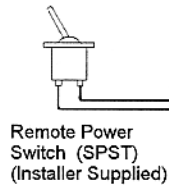


Control Head (CH)

(up to 3 stations - standard)
(6 station capability - optional)



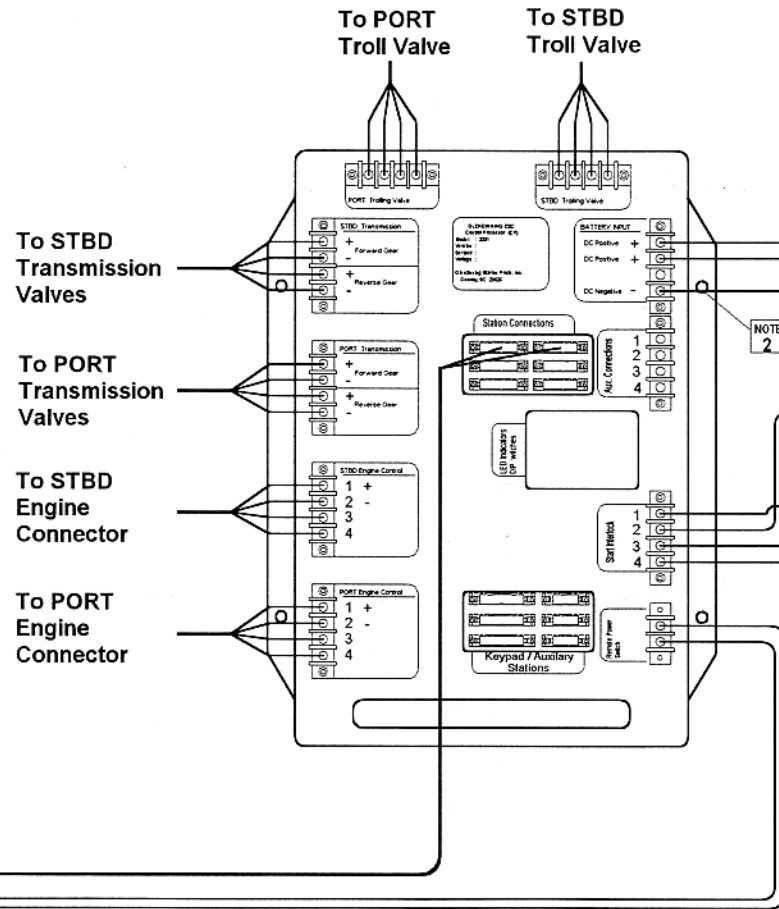
Control Station Cable
(10' - 150' long
- specify length)



Remote Power
Switch (SPST)
(Installer Supplied)

Control Processor (CP)

(one CP controls up to two engines)
(CP mounted in the engine room)

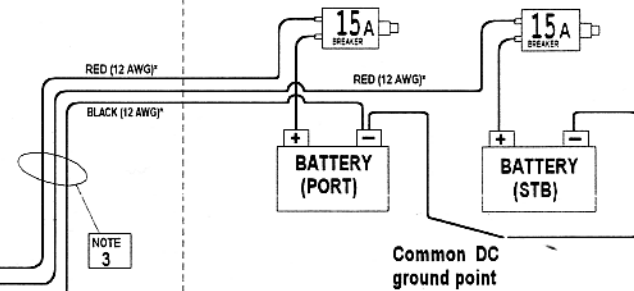


NOTE 3
RED (12 AWG)
BLACK (12 AWG)

NOTE 2

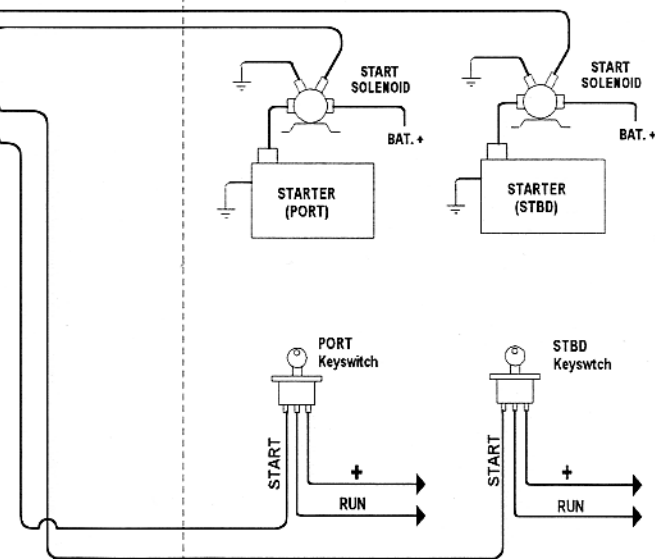
Battery Power Wiring

- using existing boat's battery systems



Start Interlock Wiring

- using existing starter relays and switches



NOTES:

1. All Control Station Cables supplied by GMP are pre-terminated with connectors. Installer will supply and terminate: Battery Power Wire, Start-Interlock Wire, Remote Power Switch Wire and Engine/Transmission connection wires.
2. Bonding is done only at the Control Processor. All other components are already bonded to the Control processor.
(In compliance with: ABYC #E-146 & CFR Code 111.05)
3. Use 12 awg. wire. When D. C. power input wires are more than 15 feet in length up-grade to 10 (awg) wire. (See manual for more detail)