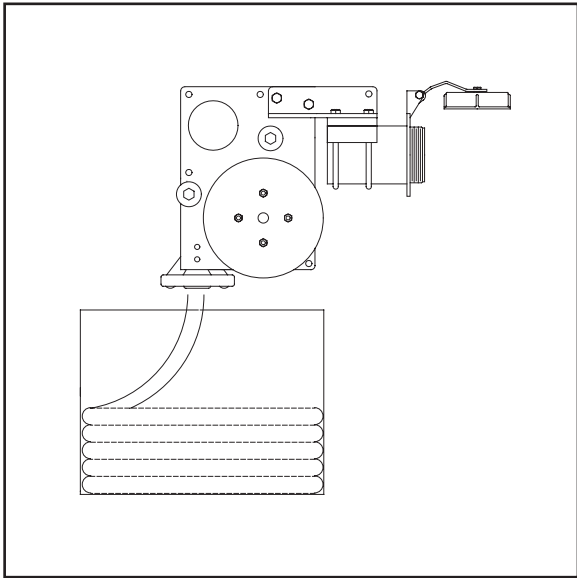
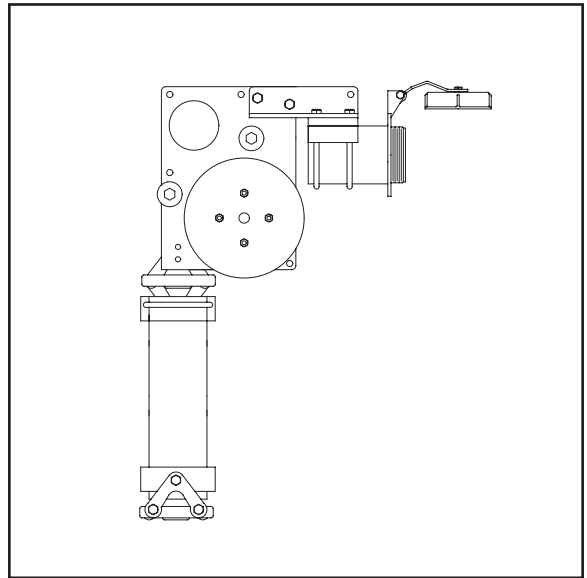


VARIOUS INSTALLATION EXAMPLES

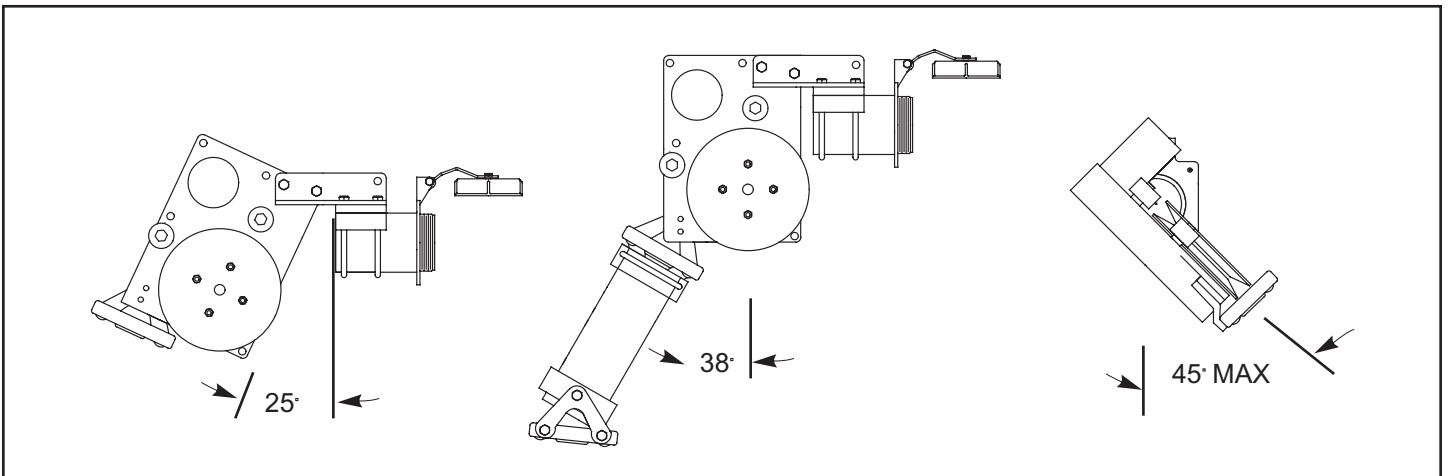
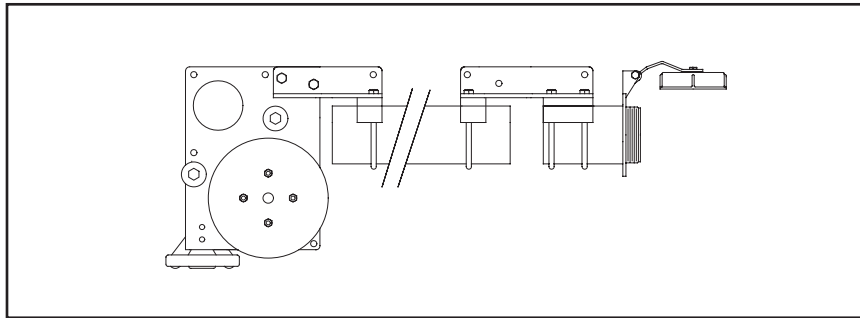
CLOSED COUPLED



VERTICAL EXTENSION



HORIZONTAL EXTENSION



GLENINNING
MARINE PRODUCTS, INC.