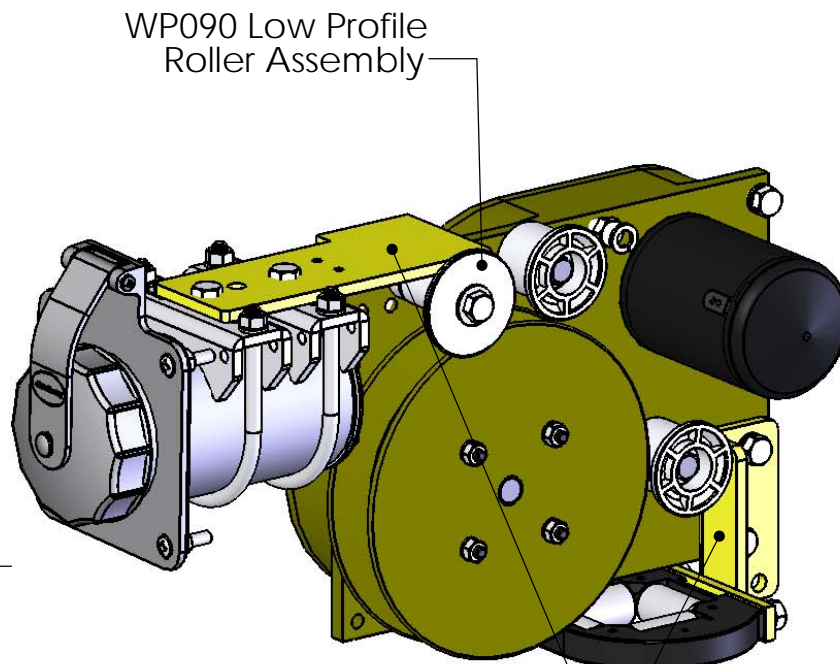
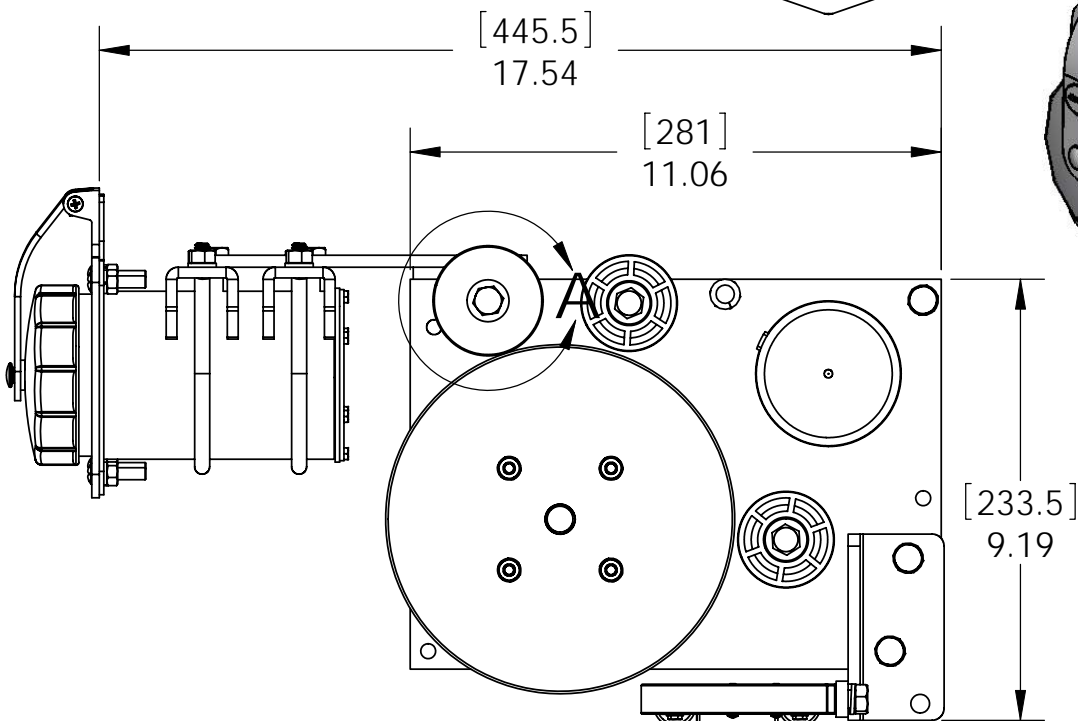
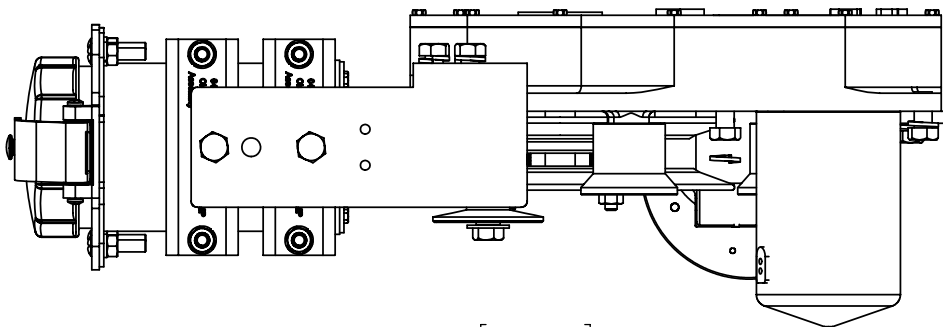


THE INFORMATION CONTAINED IN THIS DRAWING IS THE SOLE PROPERTY OF  
 Glendinning Marine Products Inc. ANY REPRODUCTION IN PART OR WHOLE WITHOUT  
 THE WRITTEN PERMISSION OF Glendinning Marine Products Inc. IS PROHIBITED.

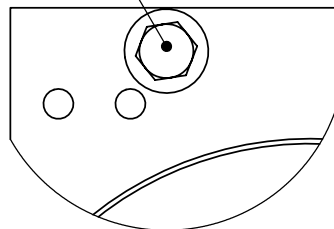
REV	DESCRIPTION	ECN #	INIT	DATE
△				



WP090 Low Profile  
 Roller Assembly

04070 Low profile  
 Assembly Brackets (2)

Roller assembly  
 installs in this hole



Assembly:

- 1) Install brackets as shown
- 2) Install roller assembly as shown
- 3) Reverse motor wires at Relay Assembly  
 for correct motor direction operation

GLENDINNING MARINE  
 PRODUCTS INC.  
 740 CENTURY CIRCLE, CONWAY SC 29526  
 PH 843 399 6146 FAX 843 399 5005

Low Profile Assembly

DWG NO.  
 04070 Low Profile Brackets  
 WP090 Low Profile Roller Assem.

SIZE	SCALE	REV.
DRAWN BY		DATE