

Installation Instructions

- 1) Remove existing cup type expansion plug on engine
- 2) Install shaft making sure that the pin slides into slots in the engine
- 3) Install gasket and plate using cap screws and lockwashers provided

Grease the part of the shaft that goes into our plate

Make sure that shaft has end play (Up and down) after tightening

Location where adapter is to be installed
On back of sheet

D 160 DRIVE ADAPTER

SCALE: FULL

DATE: 4/12/88

PART # 06061



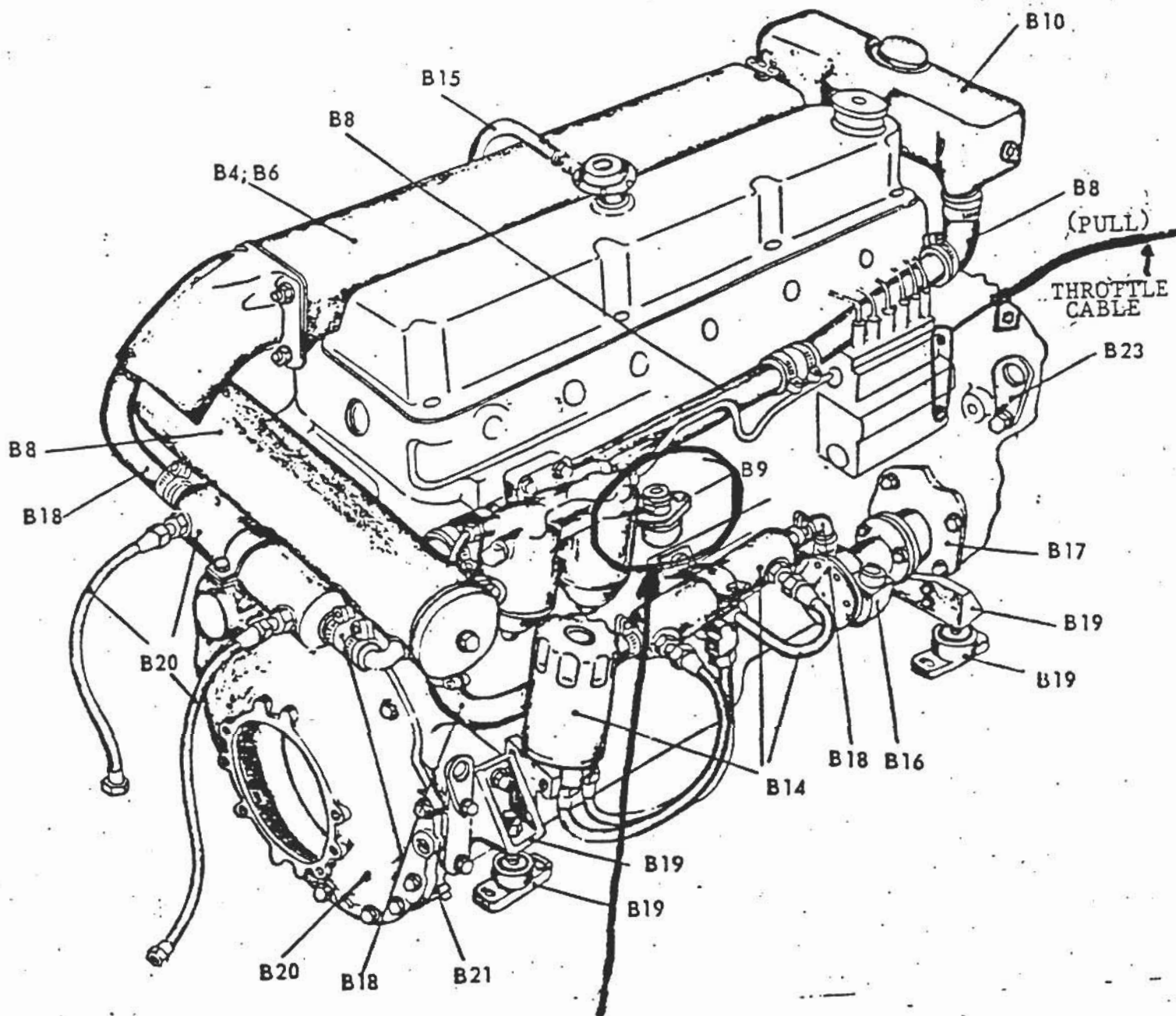
GLENDINNING MARINE

RT. 5 BOX 188 CONWAY SC 29526

INDEX TO LEHMAN MARINE EQUIPMENT

PICTORIAL INDEX

PAGE NUMBERS ARE SHOWN ON DRAWINGS BELOW



MECHANICAL TACHOMETER DRIVE